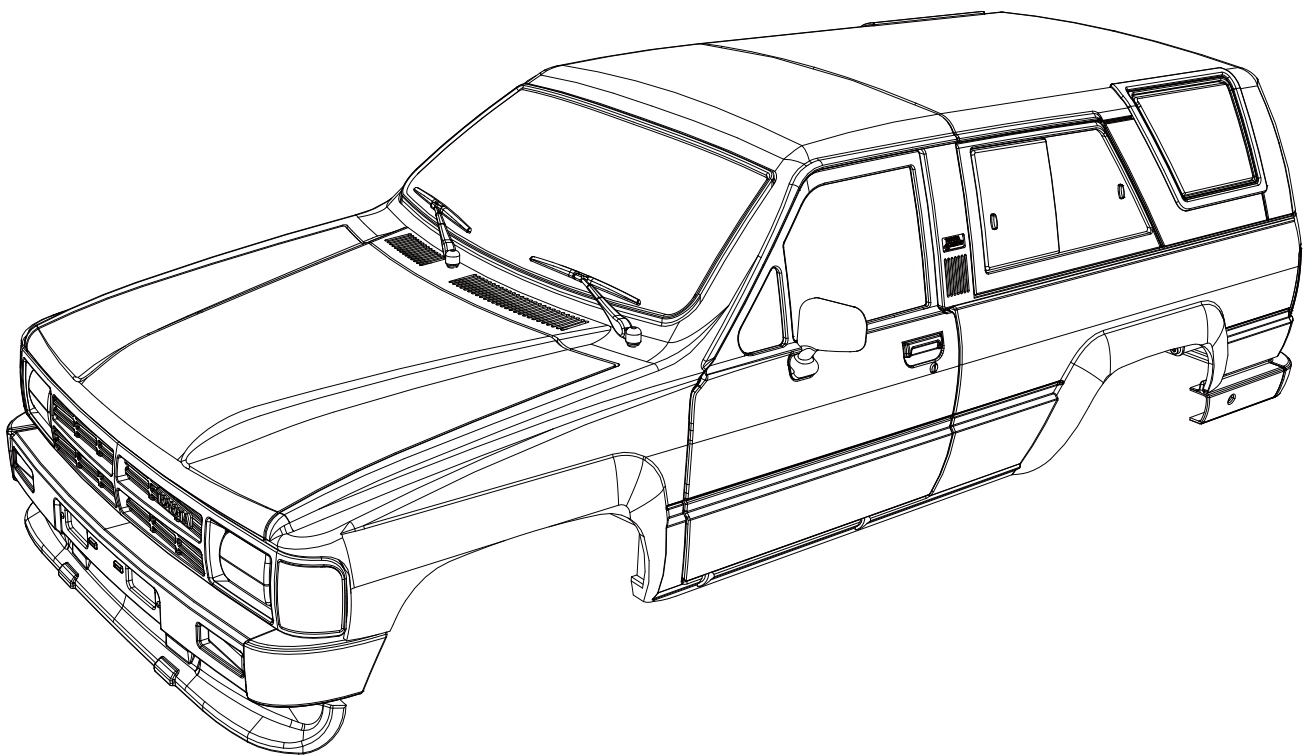
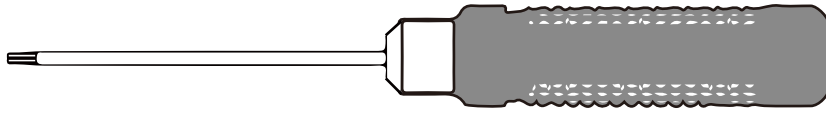


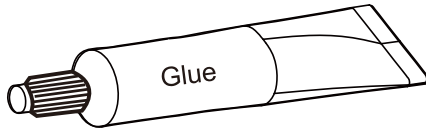
RC4WD 1985 TOYOTA 4RUNNER HARD BODY COMPLETE SET



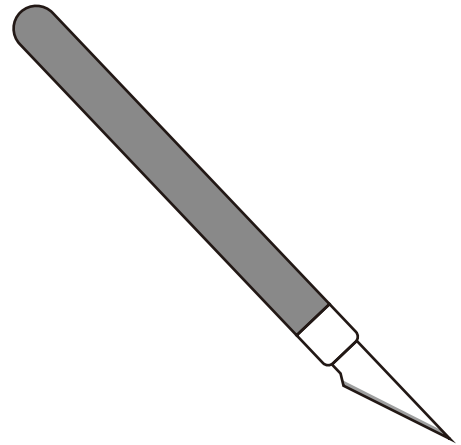
Recommended Tools



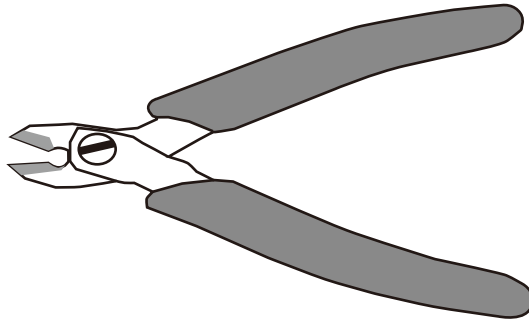
Hex Drivers (1.5mm, 2mm)



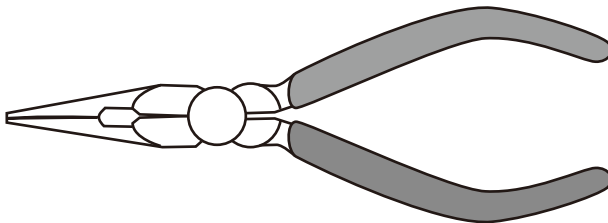
(Foam safe CA, Shoe Goo or E6000, Styrene Glue, Epoxy)



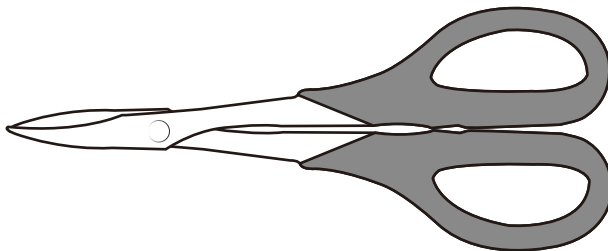
Hobby Knife



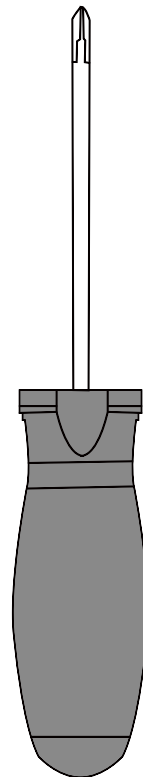
Side Cutters



Long Nose Pliers



Curved Lexan Scissors



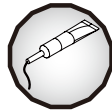
Cross head screwdriver (Small)



Instruction Manual Symbols Key



Apply Thread Lock



Apply Grease



Glue



CA Glue



Cut with Scissors



Remove



Trim with Hobby Knife



Drill Hole



Body Reamer



Repeat or Build Multiple



Attention



Paint



Build Front and Rear



Build Right and Left

Tips for Assembly

- Use good quality hex drivers to avoid stripping screw heads.
- Open kit bags in order of assembly steps.
- Use “Step” index for quantity and size of hardware to be used for assembly.
- Do not overtighten screws.
- Use thread lock sparingly

Recommendations for building your RC4WD 1985 Toyota 4Runner Hard Body Complete Set.

1. Carefully remove all pieces from parts trees with a hobby knife or side cutters. Take care to trim the injection point from the parts.
2. Test fit everything before gluing. Many areas will require extra attention to detail to ensure proper alignment.

Warranty

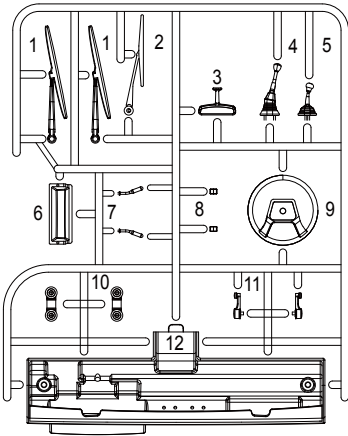
RC4WD non-electrical products are warranted to be free of defects in materials and workmanship when new. Our limited warranty does not cover damages due to normal wear and tear, user error of assembly or installation, user modifications, user's failure to perform routine maintenance, addition of aftermarket parts or option parts. This warranty lasts 30 days after arrival for original purchaser.

In the event of a defect under this warranty, RC4WD will, at our discretion, replace the product, provided our inspection indicates that an original defect exists. RC4WD reserves the right to replace any product which is no longer available with a product of comparable value and function. If RC4WD determines the repair is not covered under warranty guidelines, we will contact you to discuss your options. If you have any questions, please contact us via email at support@rc4wd.com.

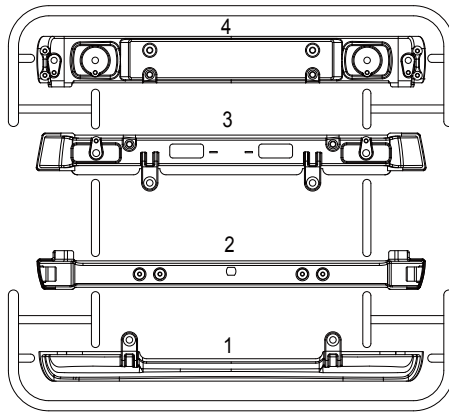
RC4WD warrants its electronics for 30 days from date of arrival. This covers all electrical items except items that are already noted on the individual product page.



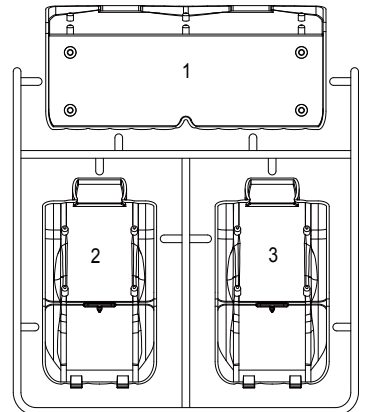
Parts List



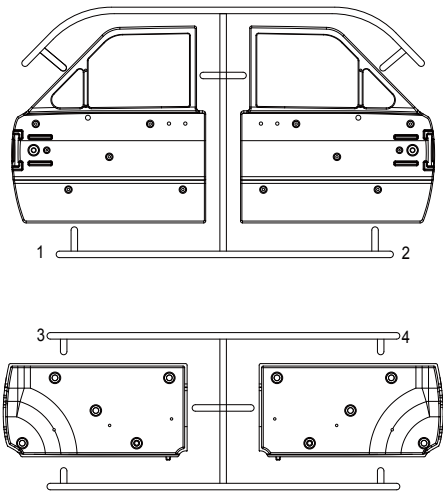
325-0087



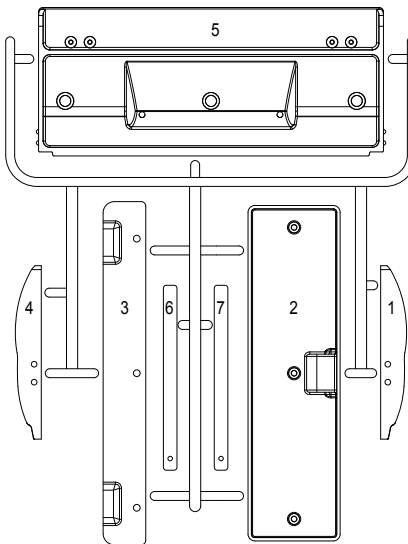
325-0109



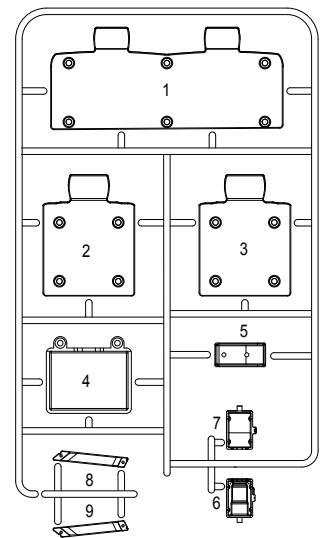
325-0083



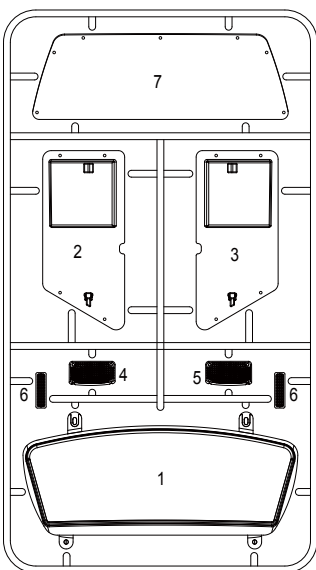
325-0115



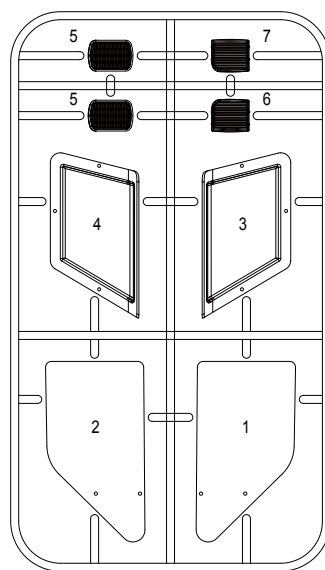
325-0092



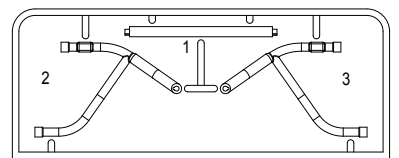
325-0093



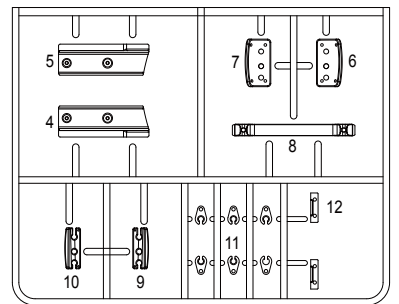
325-0068



325-0072



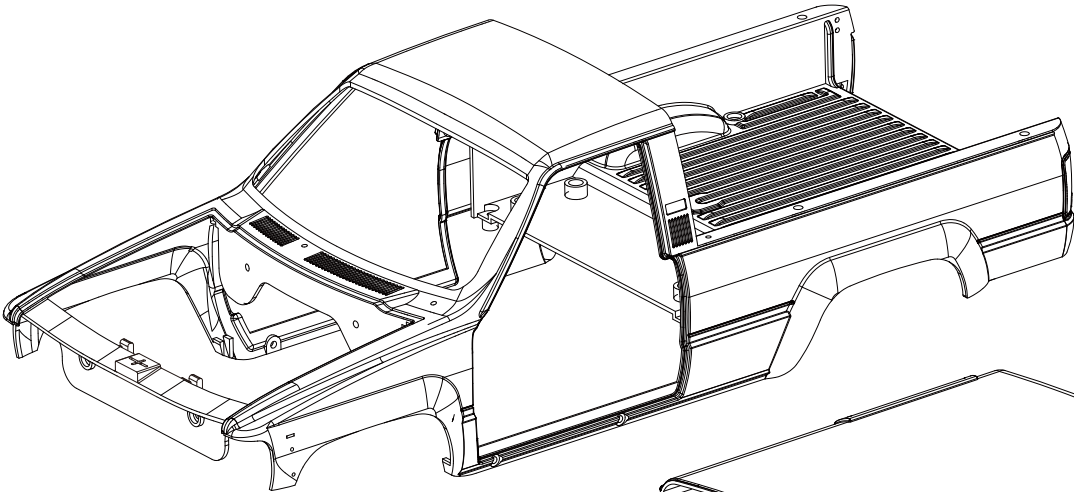
325-0106



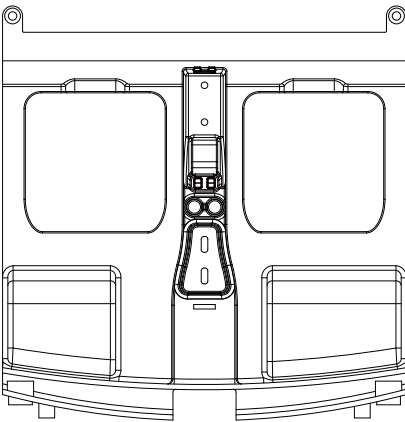
325-0931



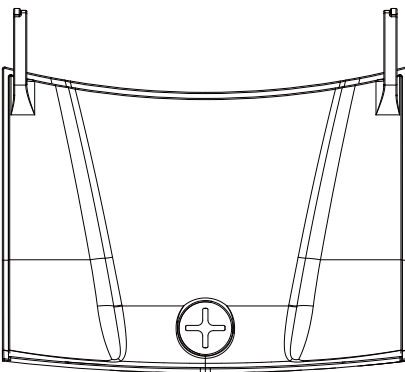
Parts List



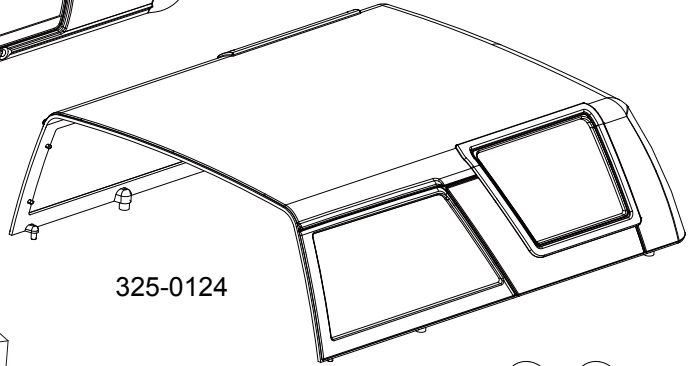
325-0082



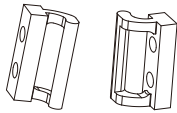
325-0100



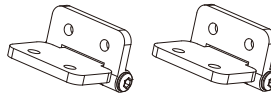
325-0090



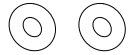
325-0124



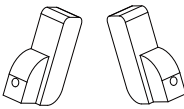
450-0108



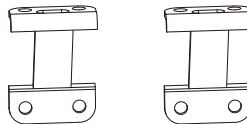
350-1180



325-0981



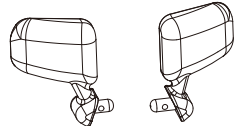
350-1072 350-1073



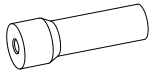
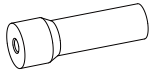
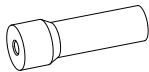
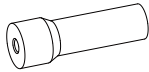
450-0114



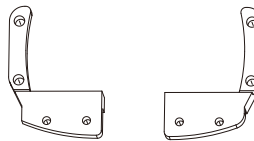
350-1182



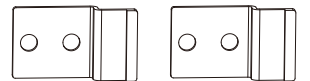
325-0119



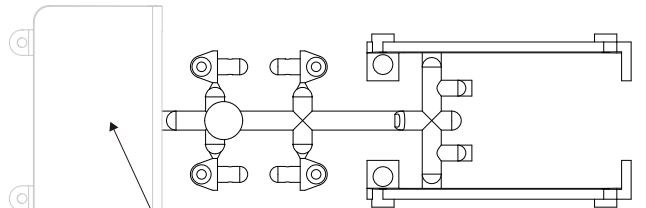
350-1375



500-0106 500-0107



450-0113



Z-B0112

*Tray is not needed for this body set and can be discarded.



350-1068



350-1069



350-1070





350-1071



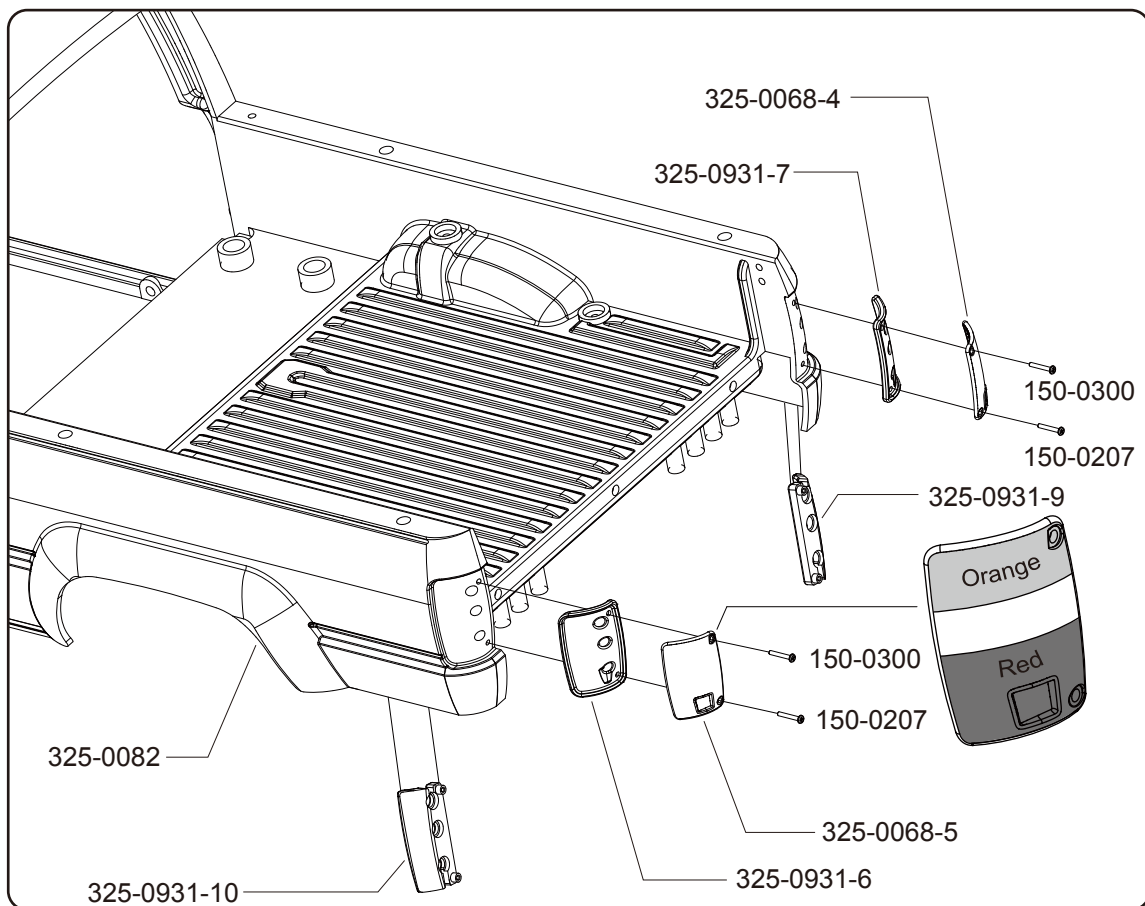
RC4WD

Step 1

-  X2
150-0207
M1.6 x 10mm
Self Tapping Screws
-  X2
150-0300
M1.6 x 12mm
Self Tapping Screws


*Pre-screw the holes in the inner mounts. This will make installing the brackets much easier.

*Use Tamiya Translucent Paint in the areas labeled with colors on the lights.

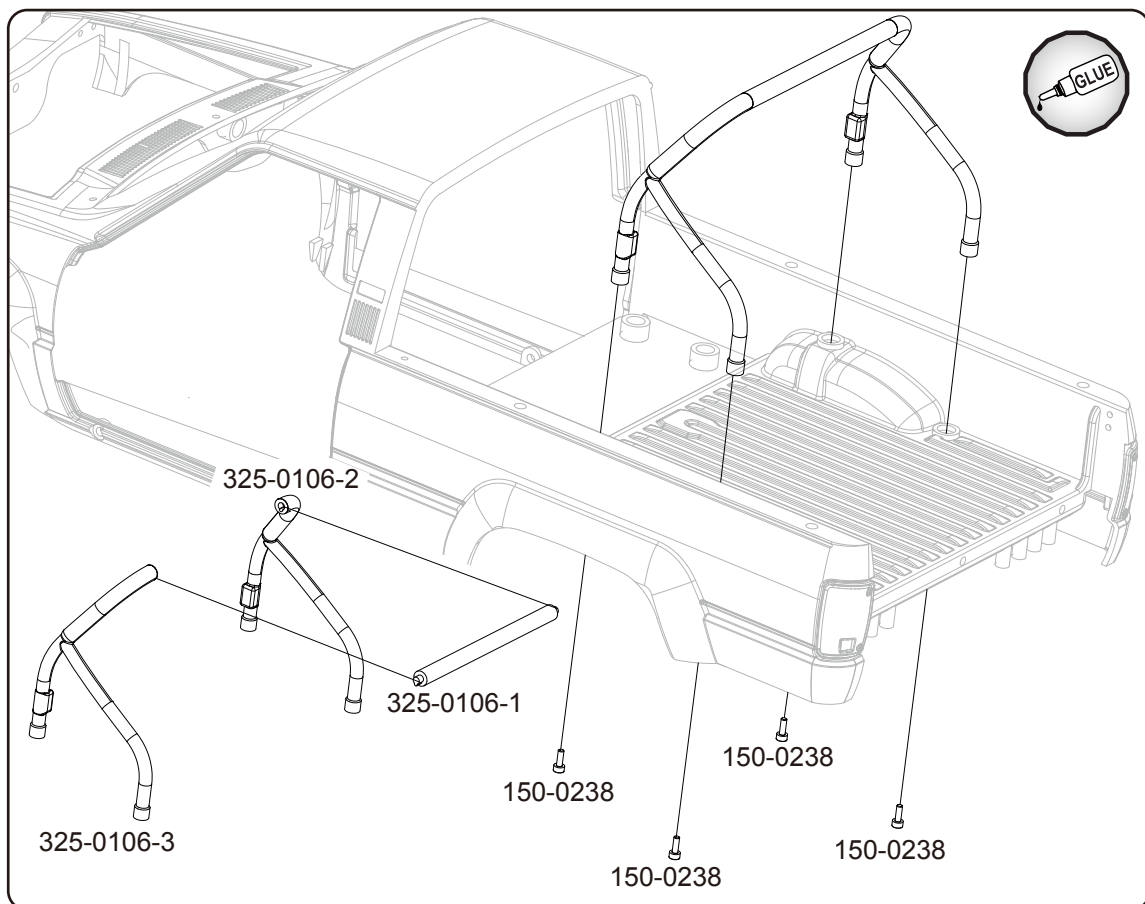


RC4WD

Step 2

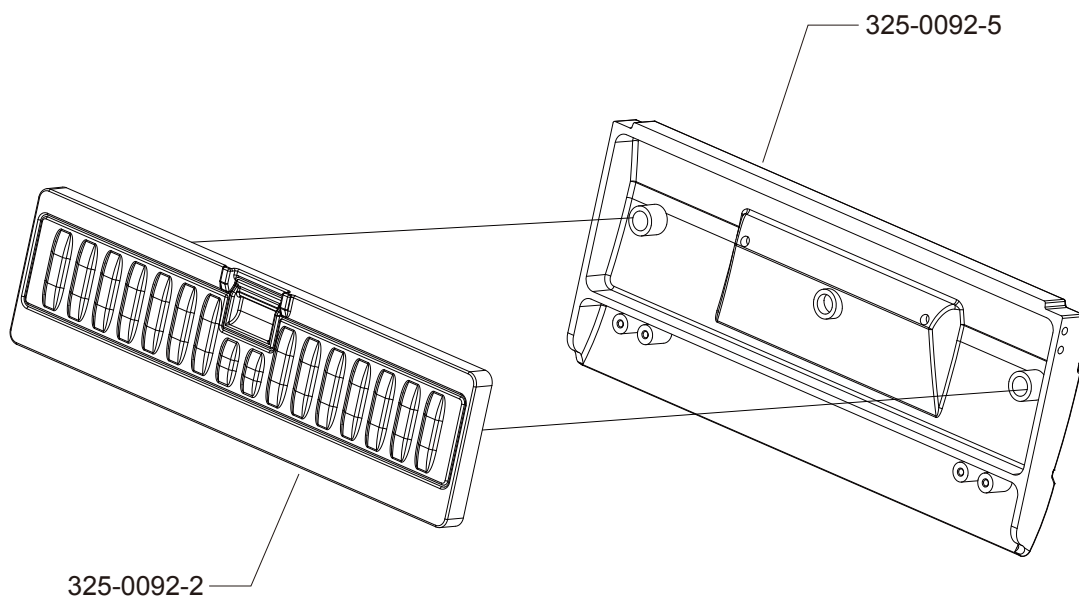
-  X4
150-0238
M2 x 6mm
Self Tapping Screws

*Recommend styrene solvent glue.




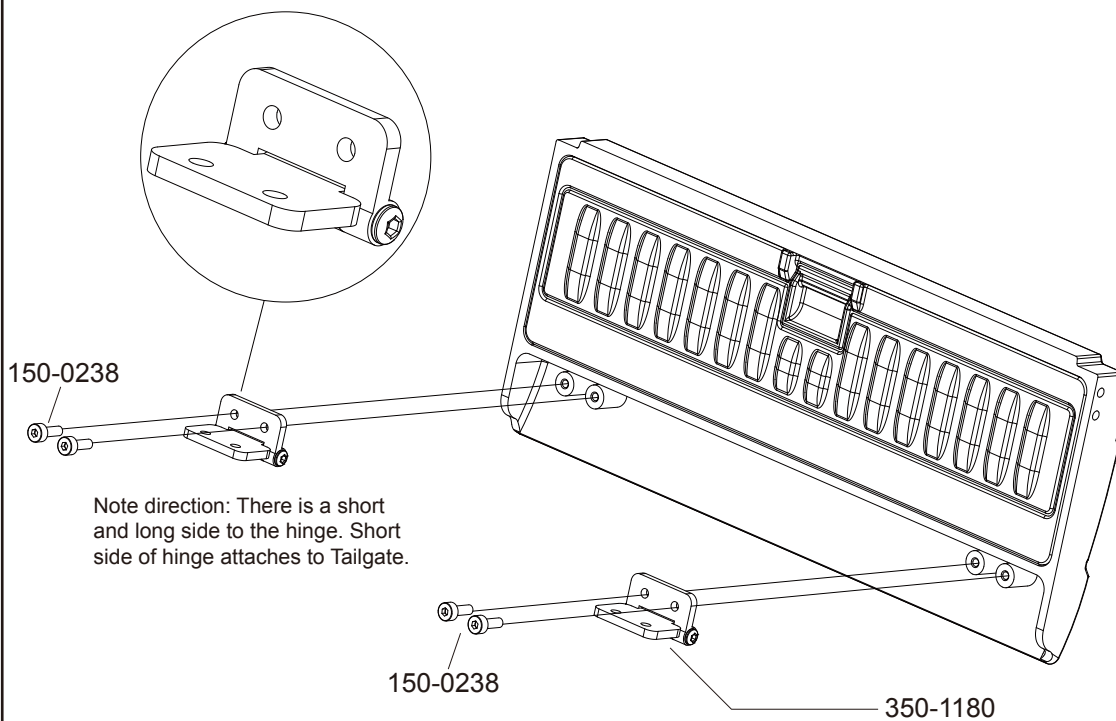
RC4WD Step 3

*Recommend foam safe super glue or Shoe Goo or E6000.



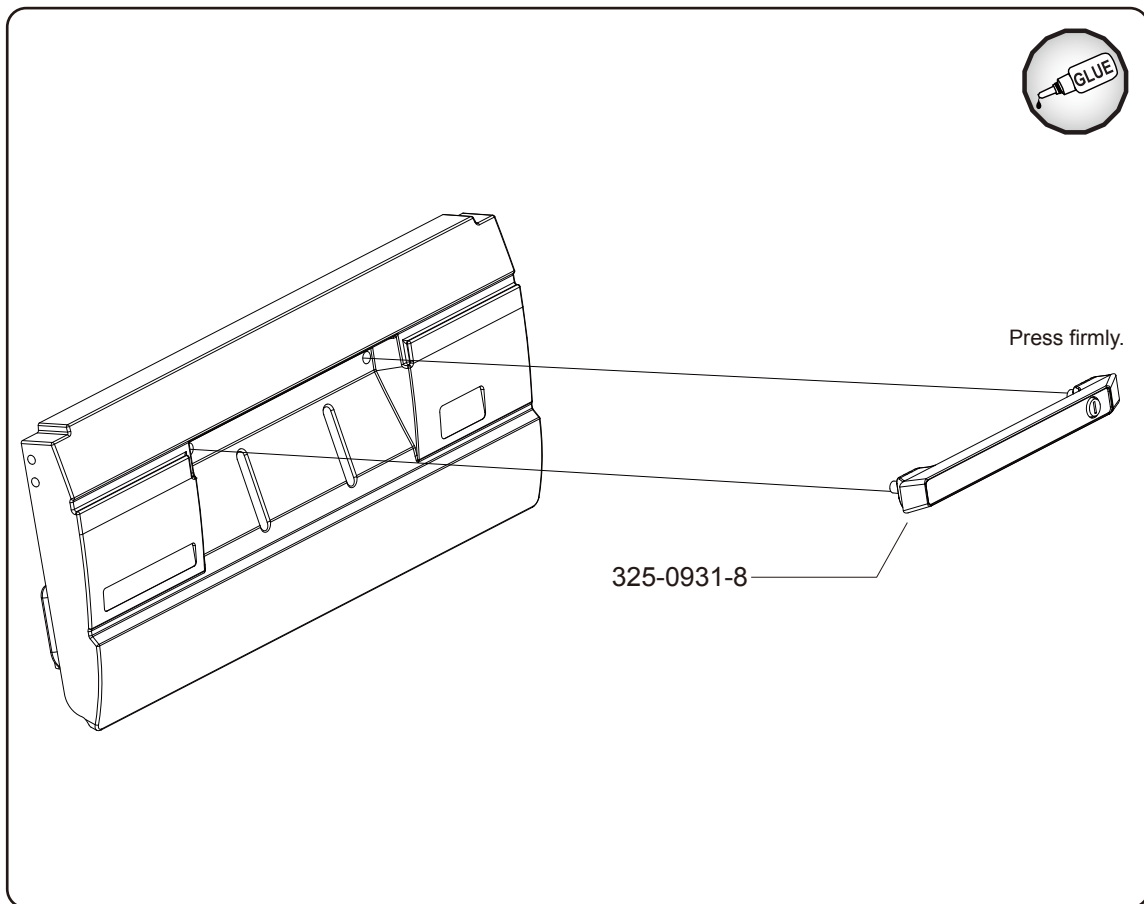
RC4WD Step 4

 X4
150-0238
M2 x 6mm
Self Tapping Screws



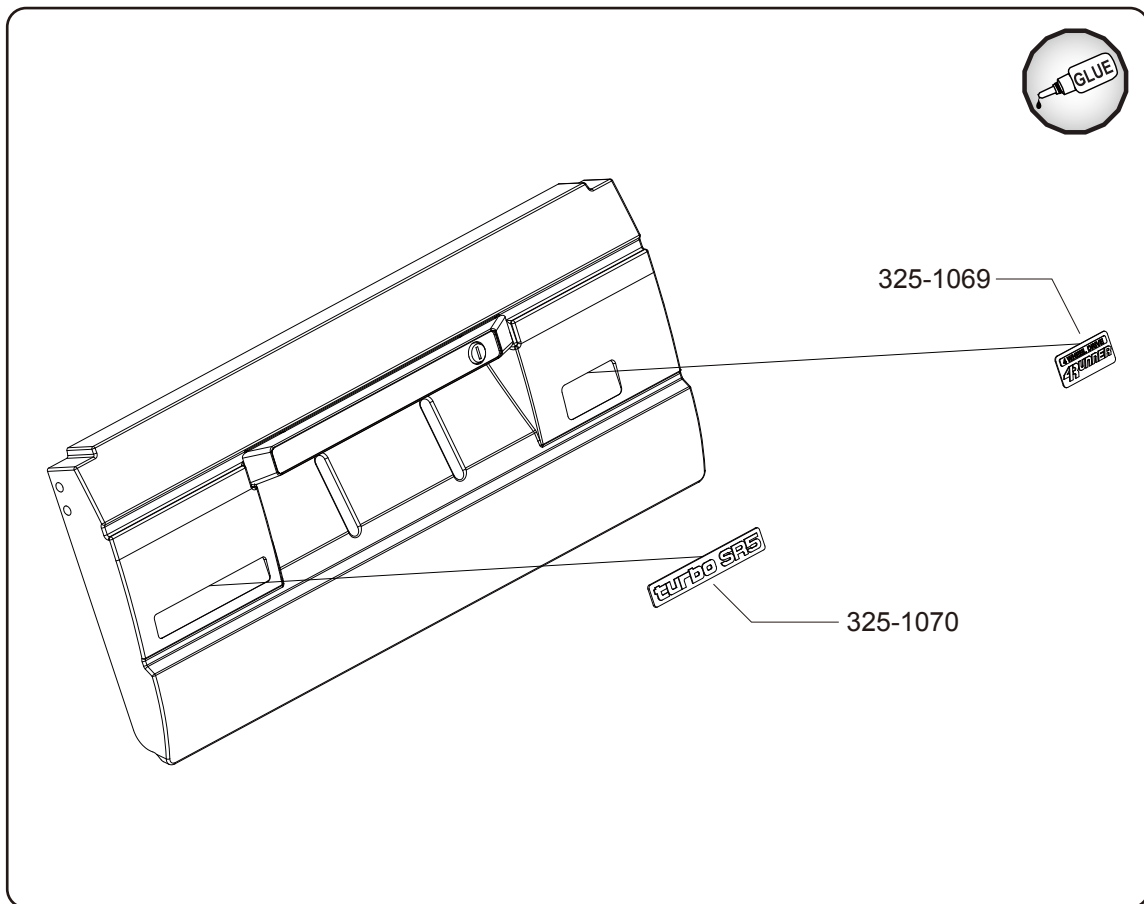
RC4WD Step 5

*Recommend styrene solvent glue or Foam Safe Super Glue.



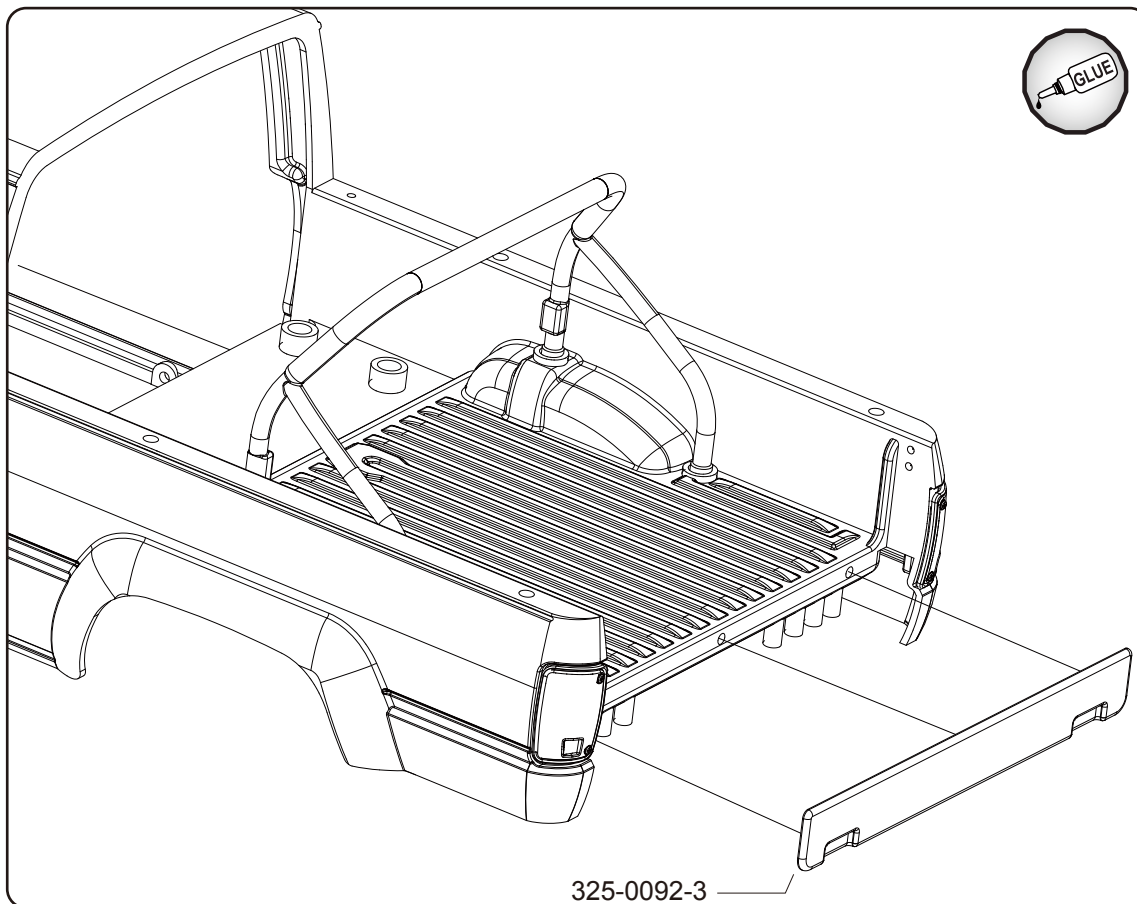
RC4WD Step 6

*Recommend foam safe super glue or Shoe Goo or E6000.



RC4WD Step 7

*Recommend foam safe super glue or Shoe Goo or E6000.



RC4WD Step 8

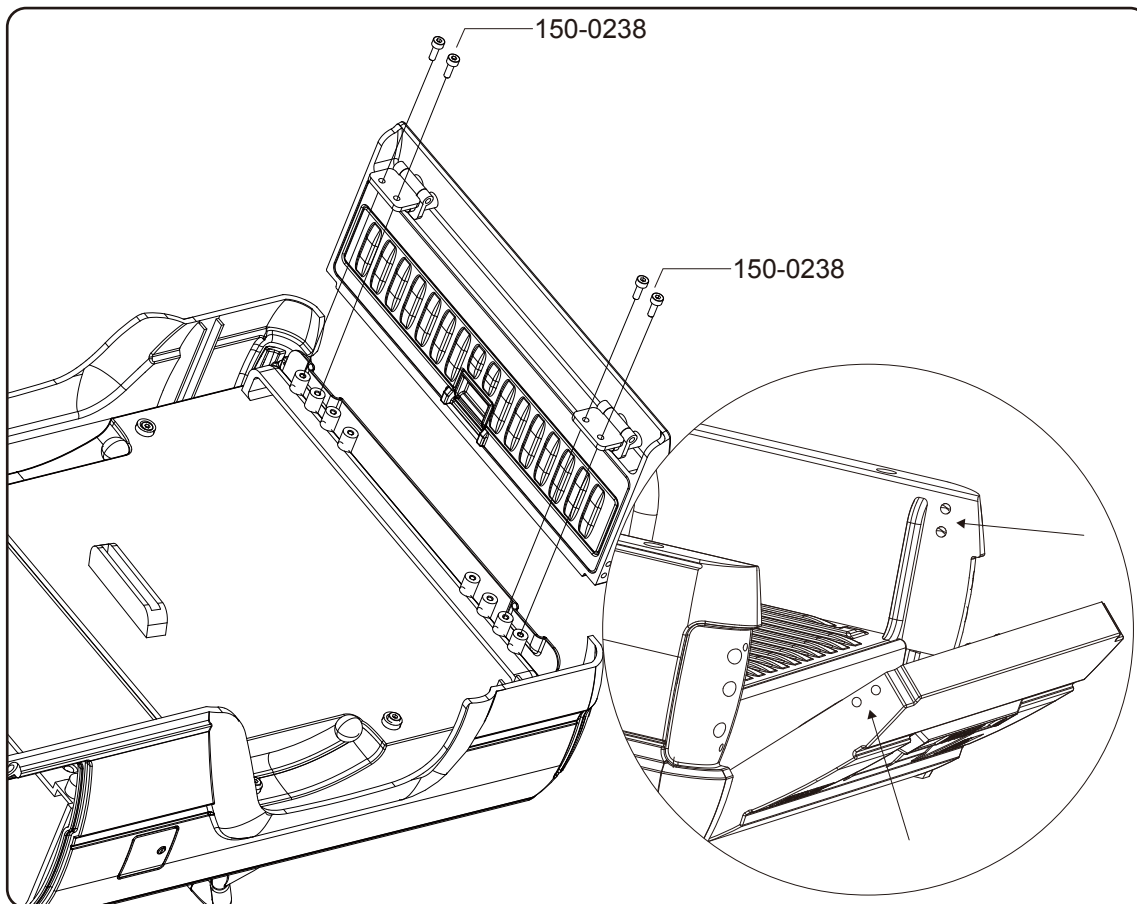
 X4

150-0238


M2 x 6mm

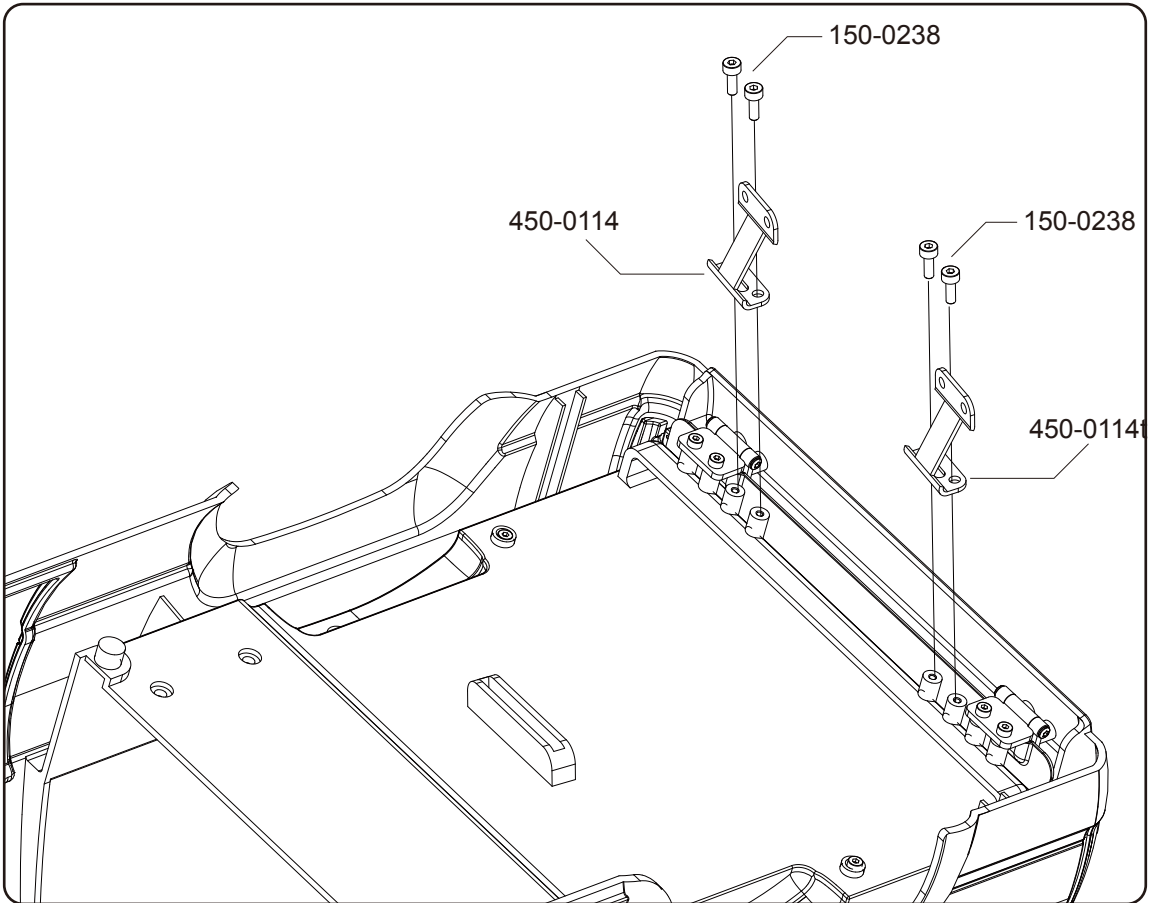
Self Tapping Screws

*Locking posts are designed for a very snug fit when the tailgate is closed. These may be trimmed slightly to allow the tailgate to open more easily if desired.




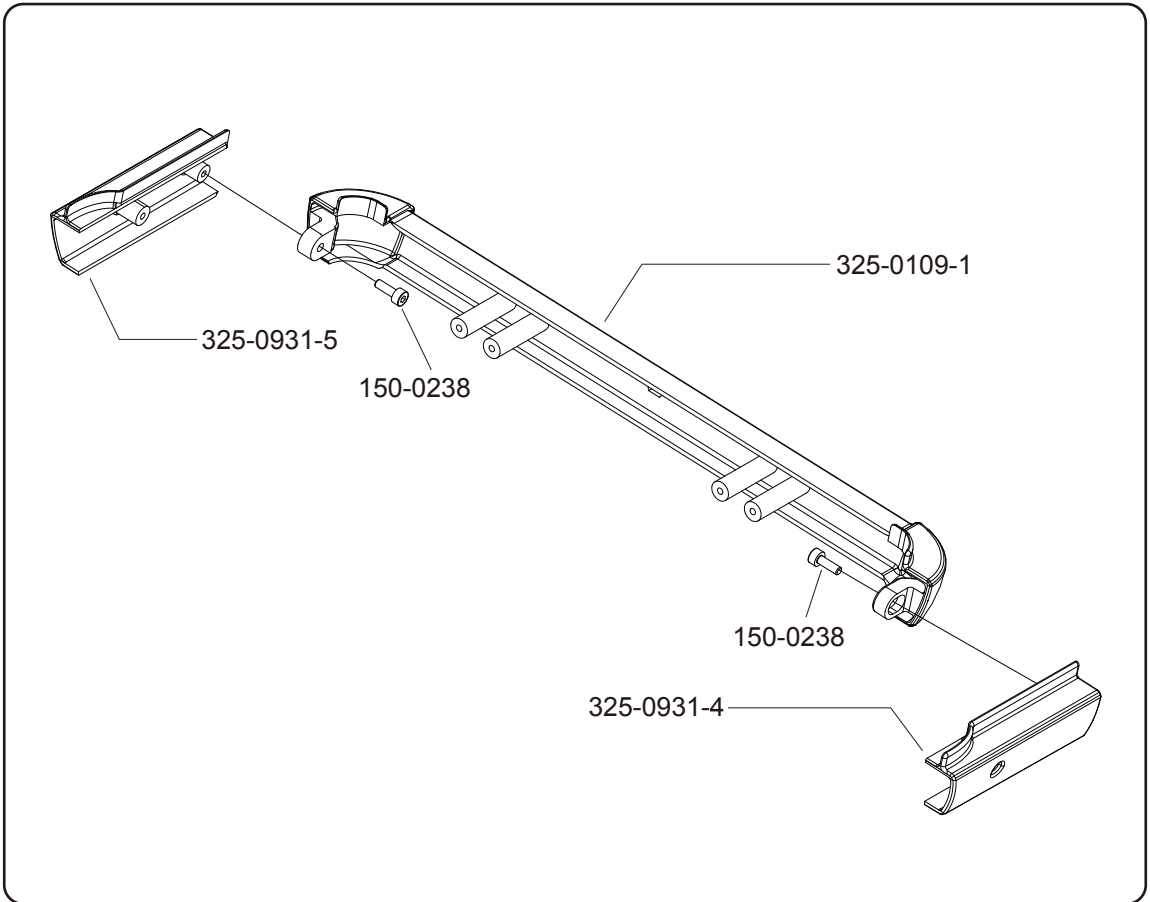
RC4WD Step 9

 X4
150-0238
M2 x 6mm
Self Tapping Screws



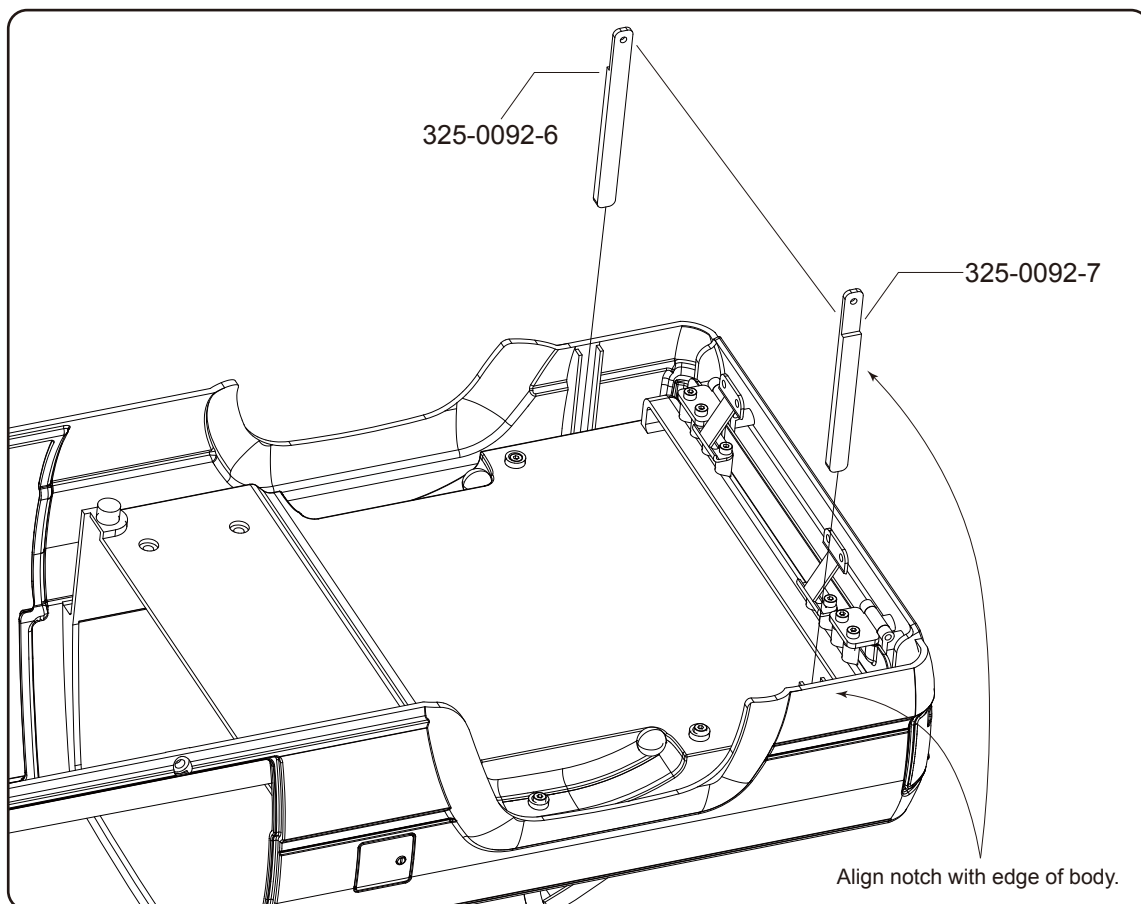
RC4WD Step 10

 X2
150-0238
M2 x 6mm
Self Tapping Screws




RC4WD Step 11

*Do not glue until proper alignment is achieved in Step 12.

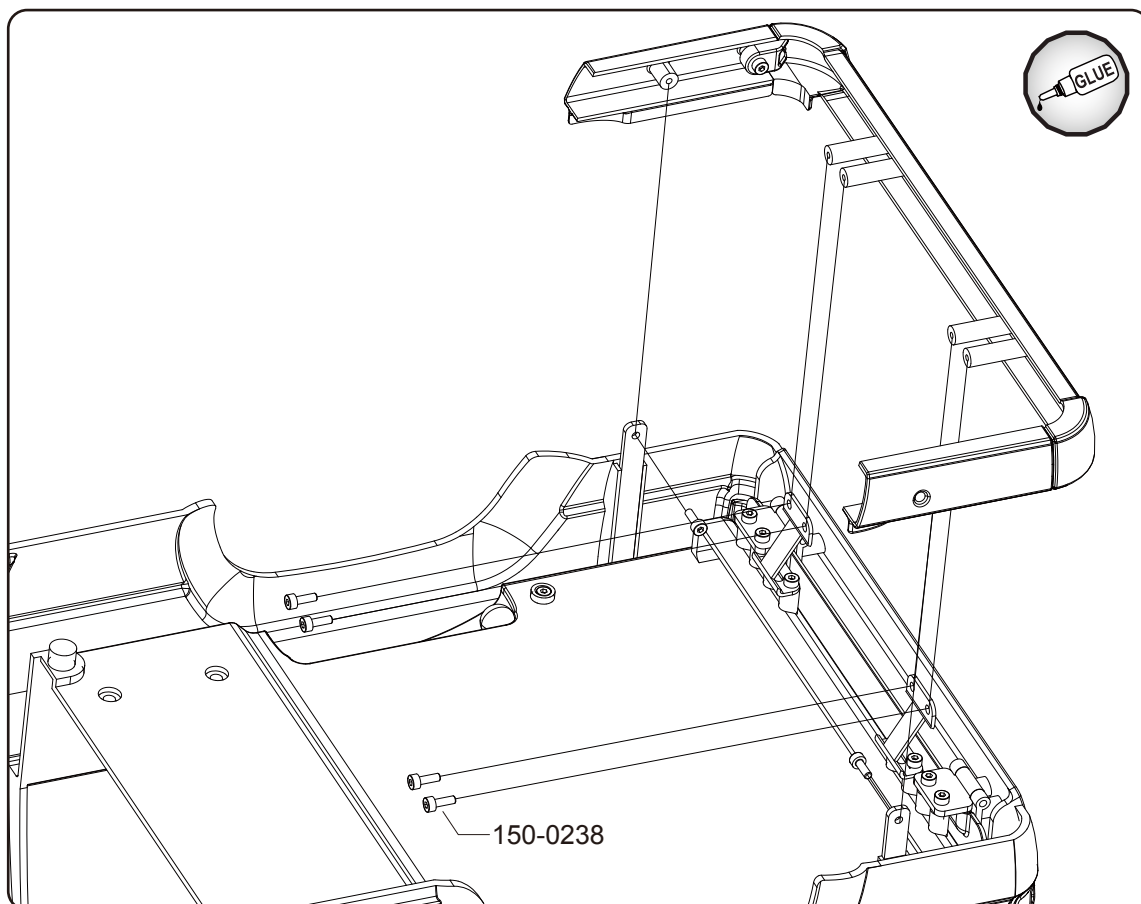


RC4WD Step 12


 X6
150-0238
M2 x 6mm
Self Tapping Screws

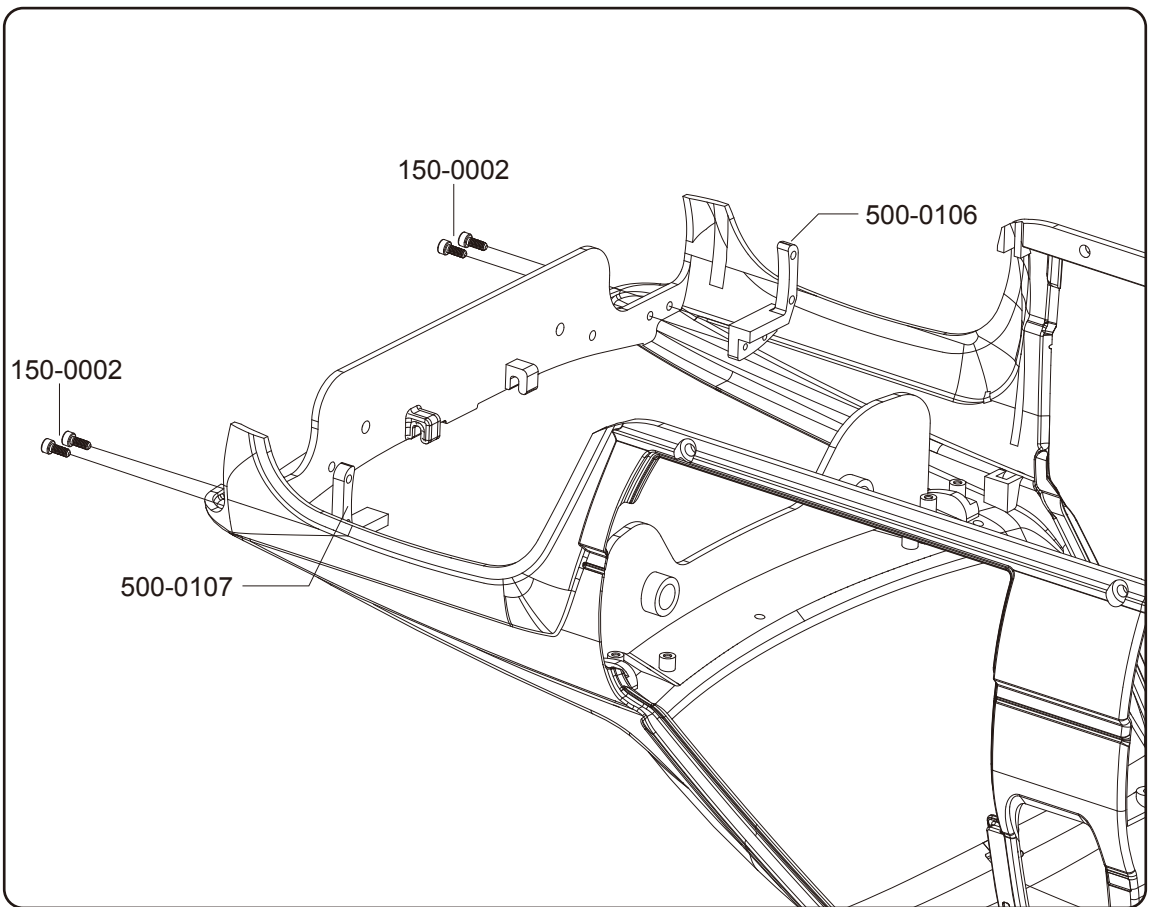
*After proper alignment of bumper is achieved, glue 325-0913 in place.

*Recommend foam safe super glue or Shoe Goo or E6000.



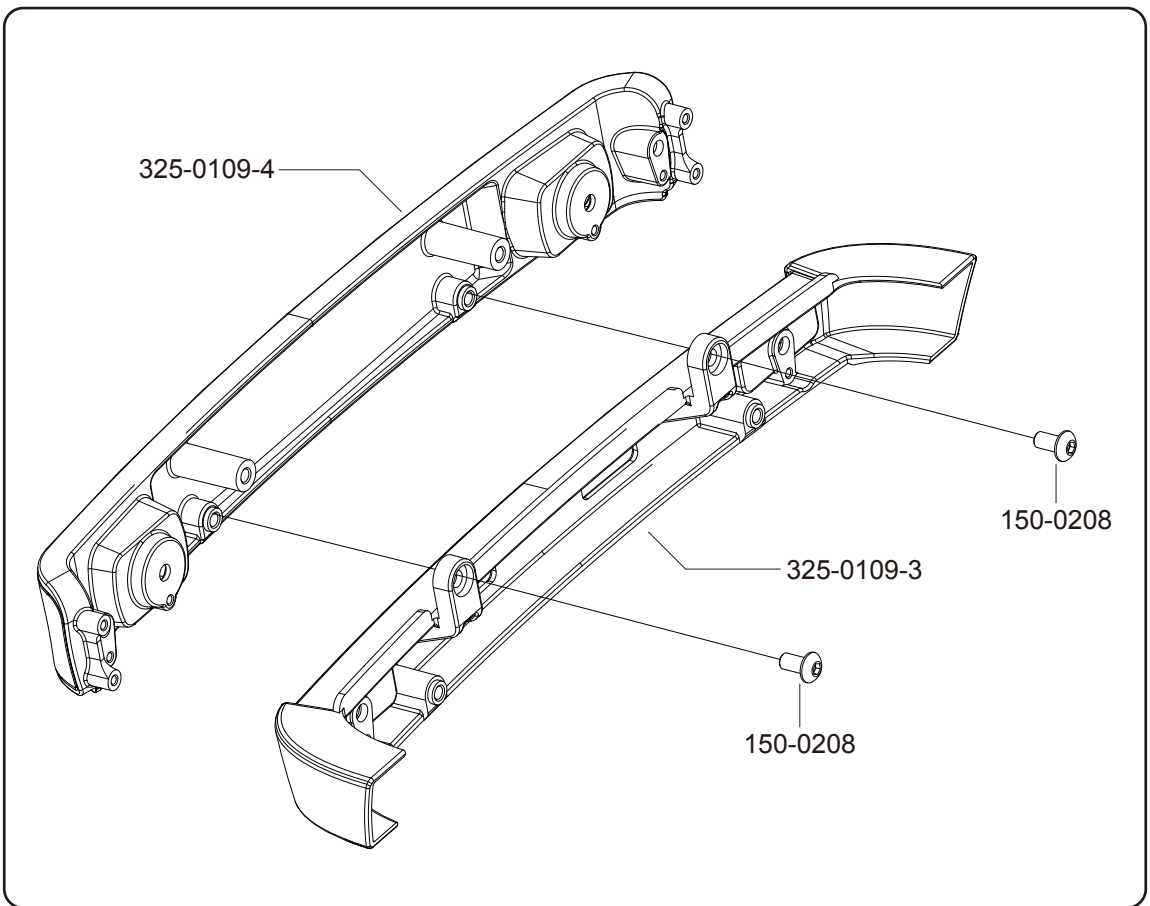
RC4WD Step 13

 X4
150-0002
M2 x 4mm SHCS



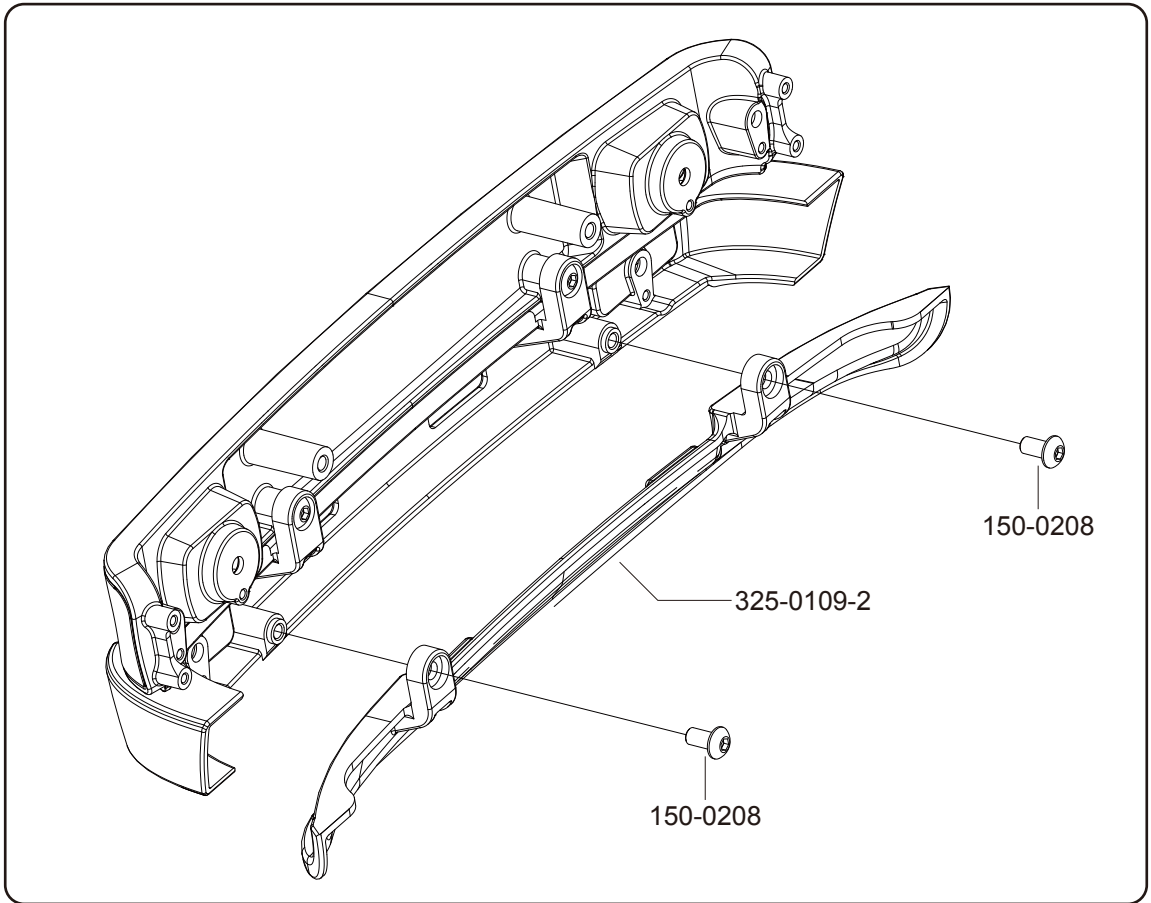
RC4WD Step 14

 X2
150-0208
M3 x 6mm
Self Tapping Screws



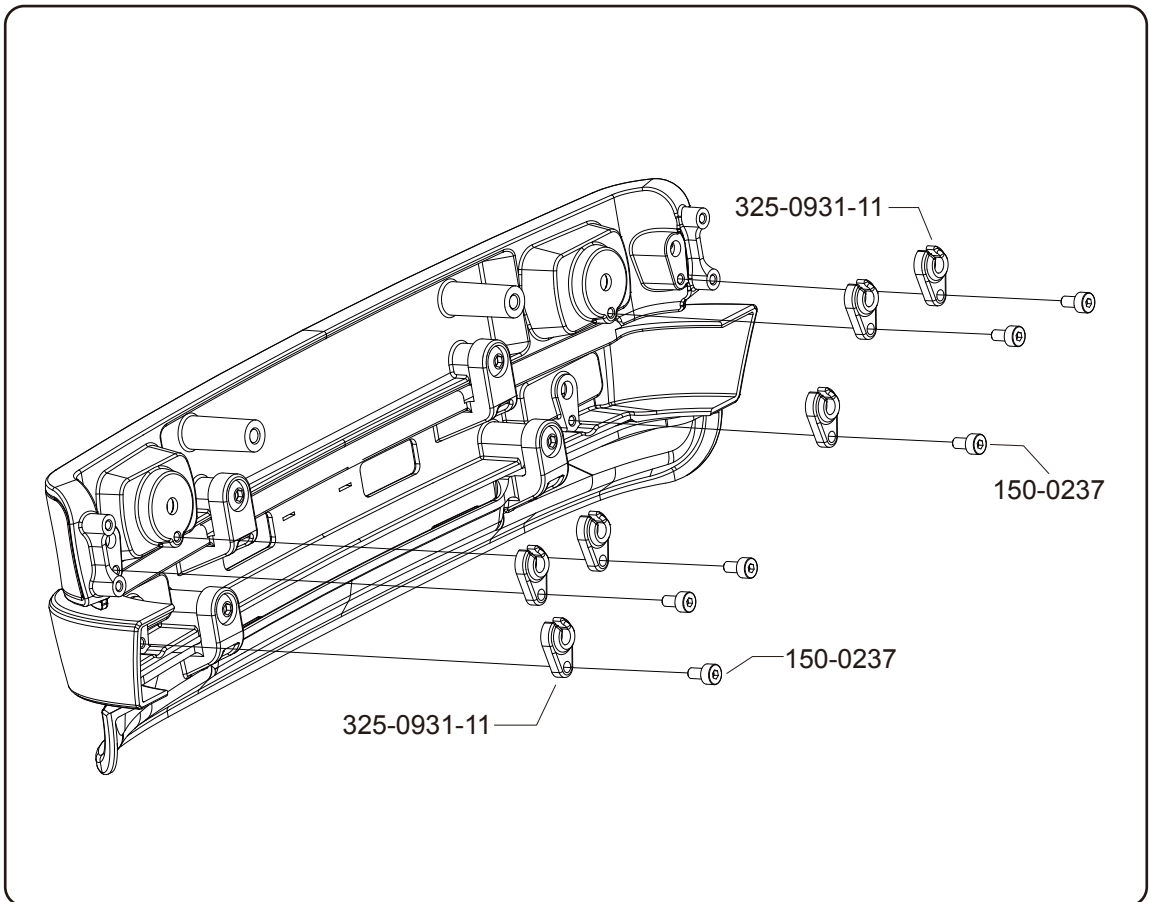
RC4WD Step 15

 X2
150-0208
M3 x 6mm
Self Tapping Screws



RC4WD Step 16

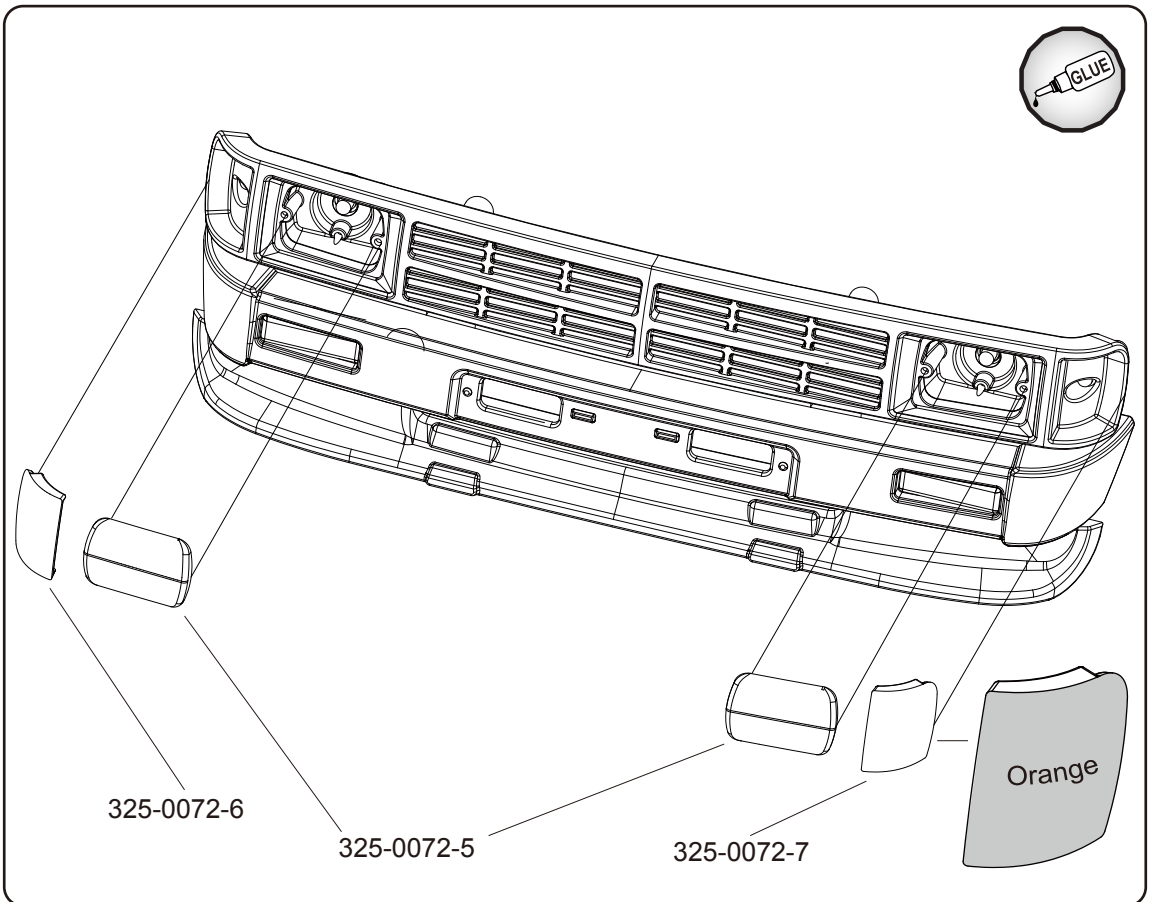
 X6
150-0237
M2 x 5mm
Self Tapping Screws



RC4WD Step 17

*Recommend styrene solvent glue or Foam Safe Super Glue.

*Use Tamiya Translucent Paint in the areas labeled with colors on the lights.

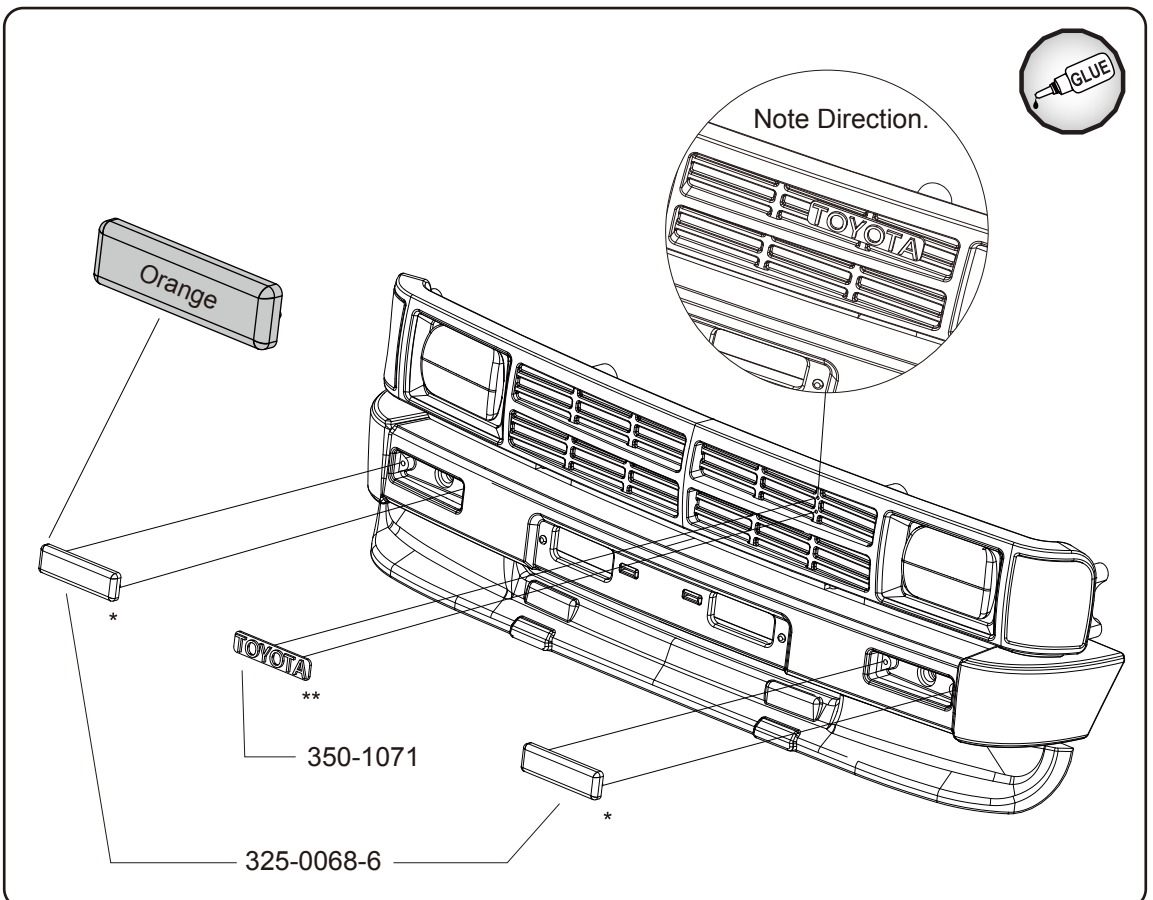


RC4WD Step 18


*Recommend styrene solvent glue or Foam Safe Super Glue.

**Recommend Shoe Goo or E6000 for emblem.

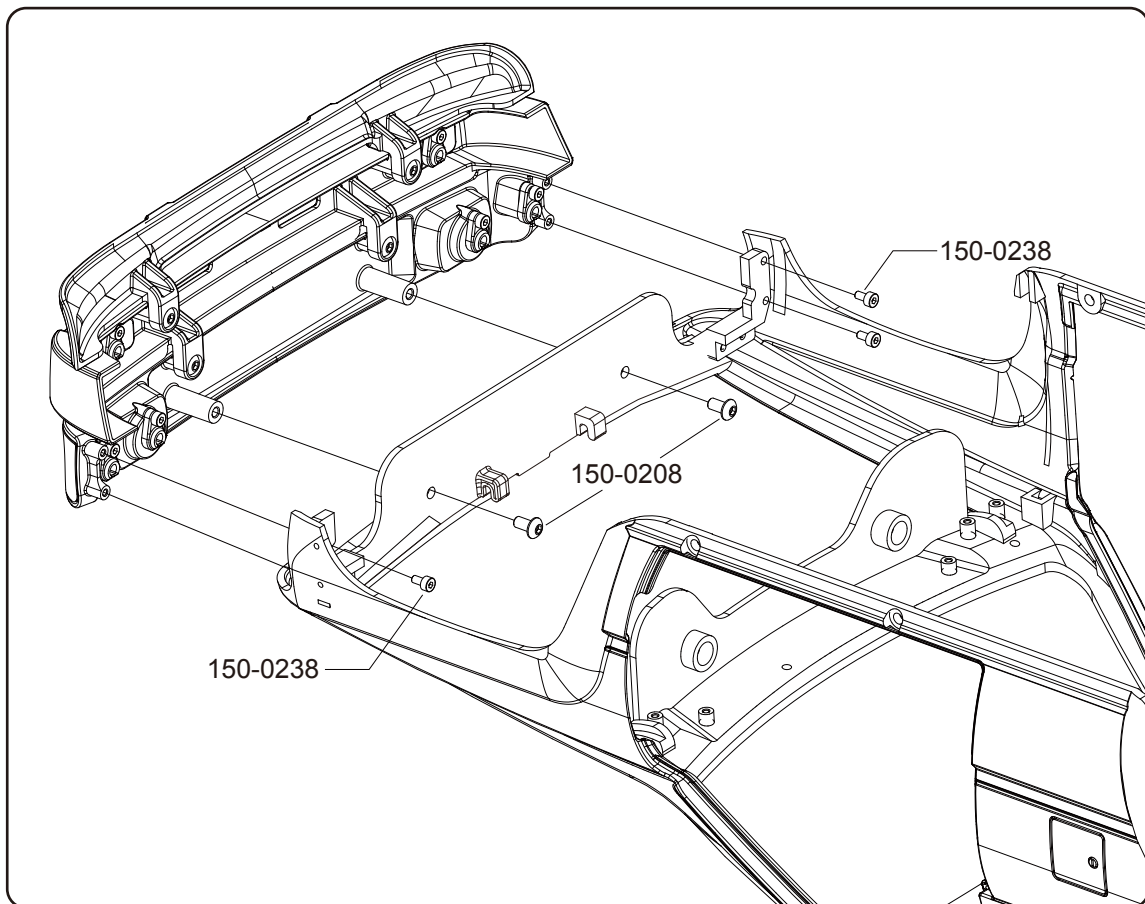
*Use Tamiya Translucent Paint in the areas labeled with colors on the lights.




RC4WD Step 19

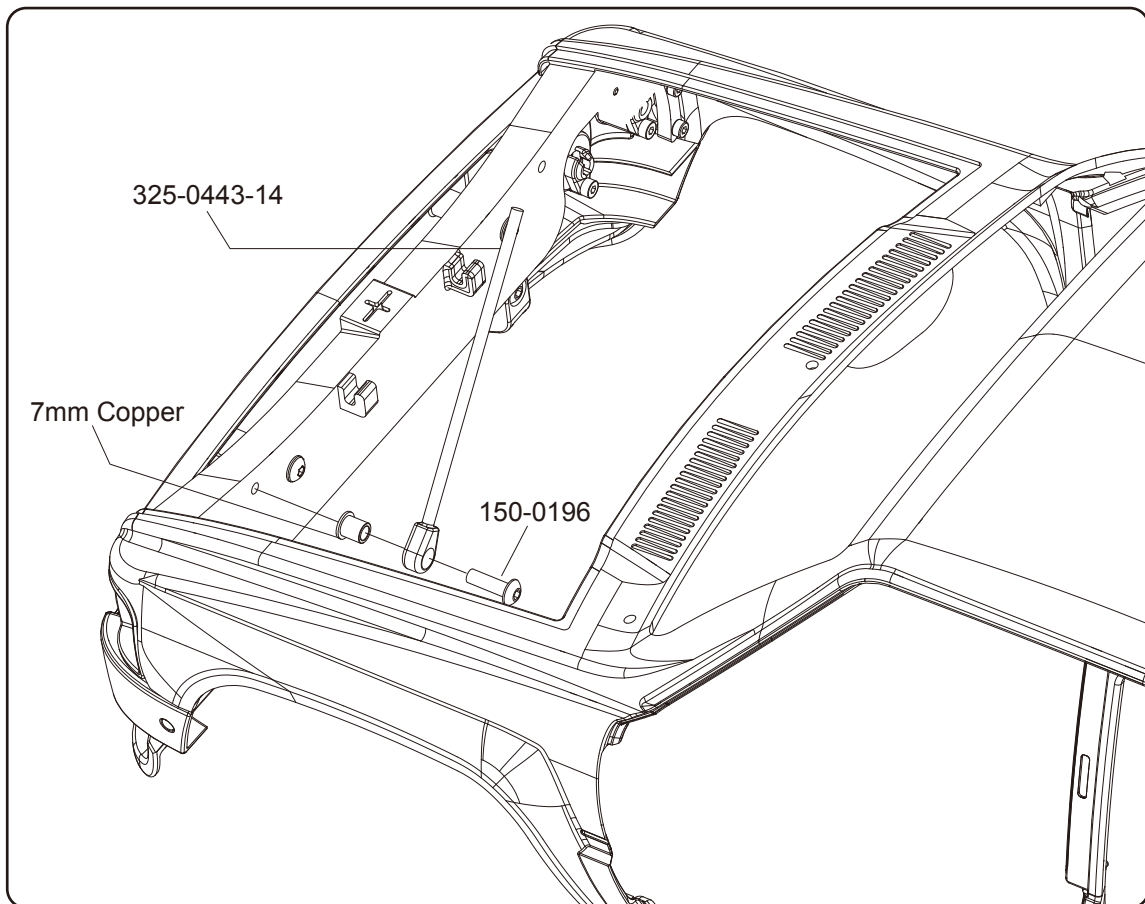
 X4
150-0238
M2 x 6mm
Self Tapping Screws

 X2
150-0208
M3 x 6mm
Self Tapping Screws

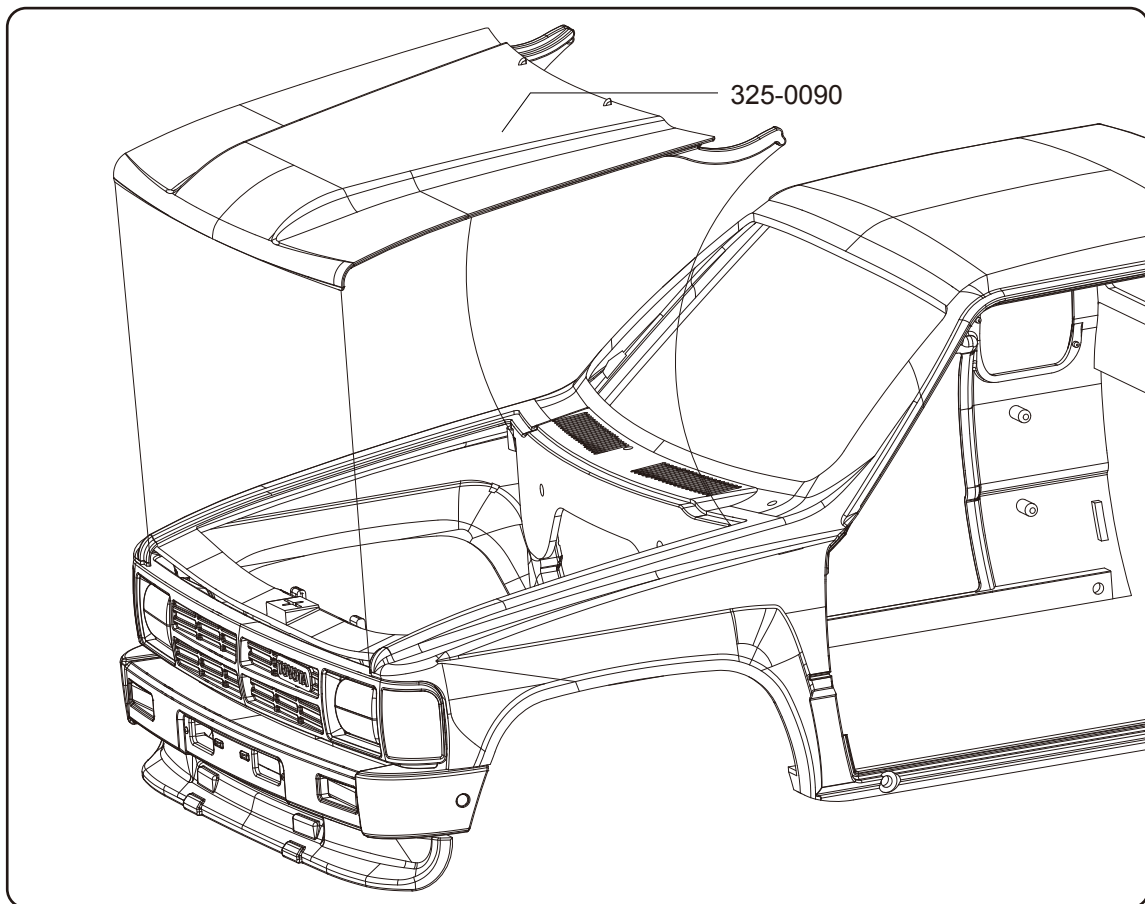


RC4WD Step 20


 X1
150-0196
M3 x 10mm
Self Tapping Screws

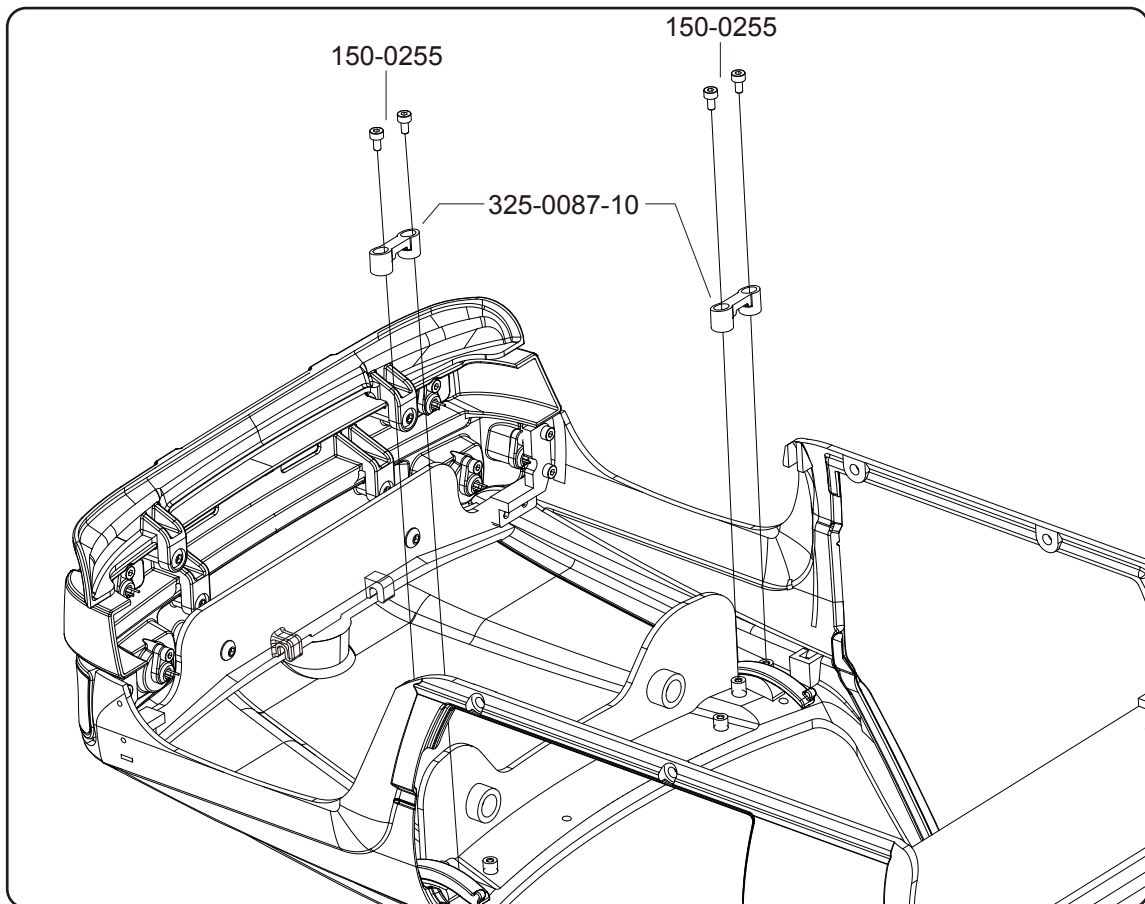


RC4WD
Step 21



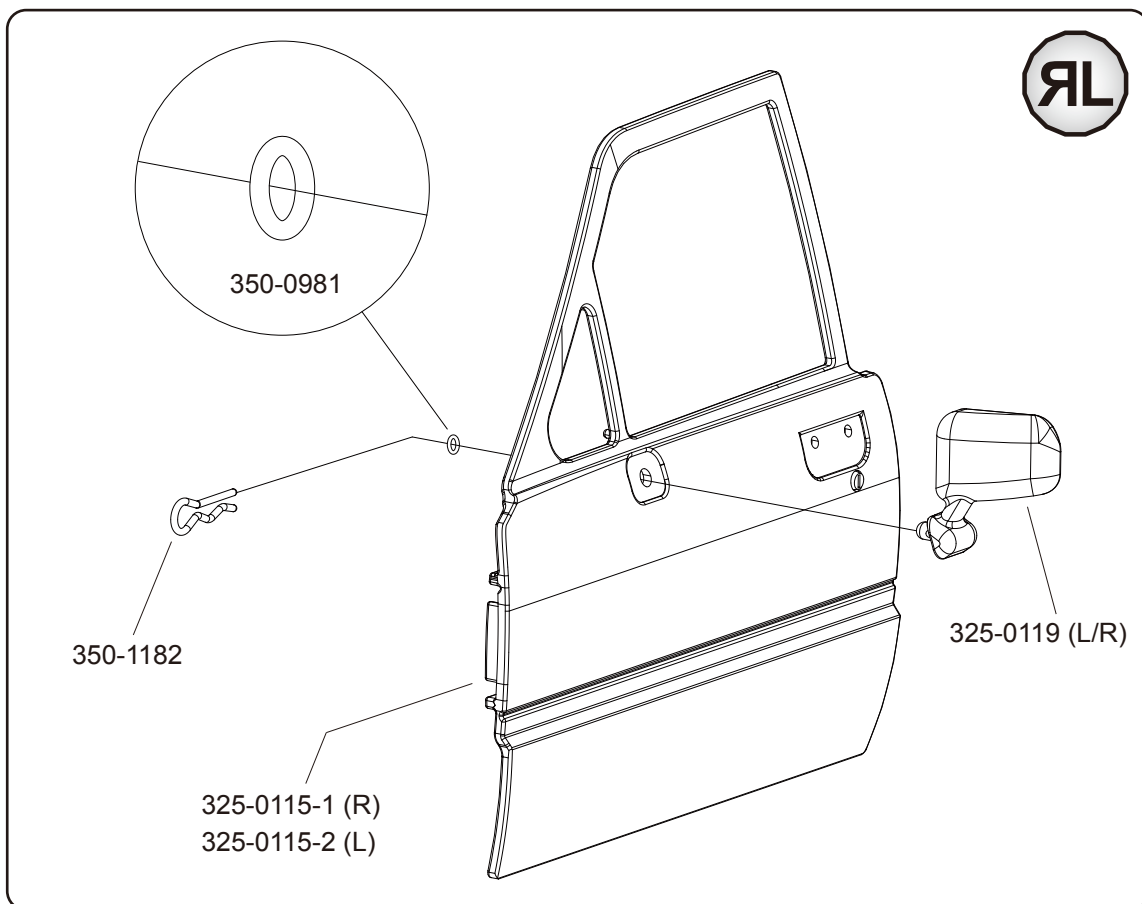
RC4WD
Step 22

 X4
150-0255
M2 x 5mm
Self Tapping Screws



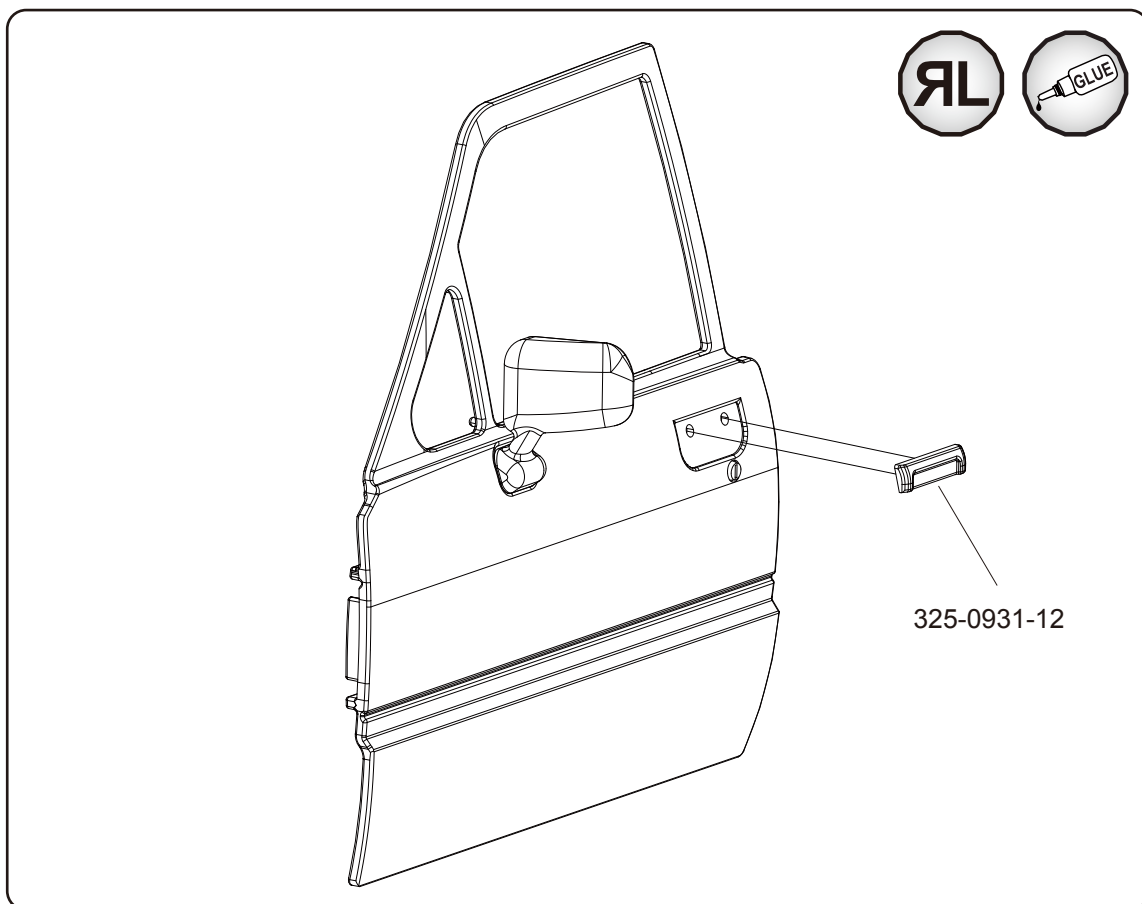
RC4WD Step 23

*Install Chrome Mirror Stickers 101-0074.



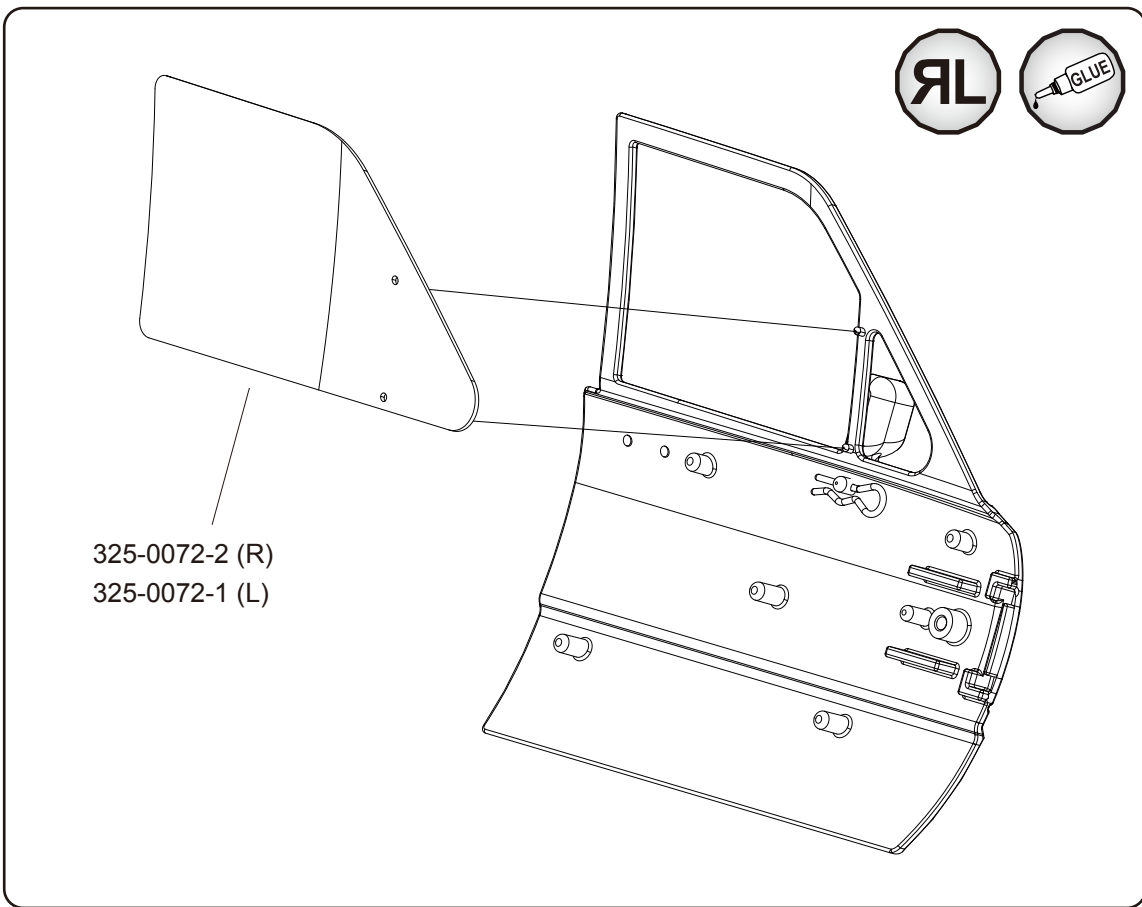
RC4WD Step 24

*Recommend foam safe super glue or ShoeGoo or E6000.



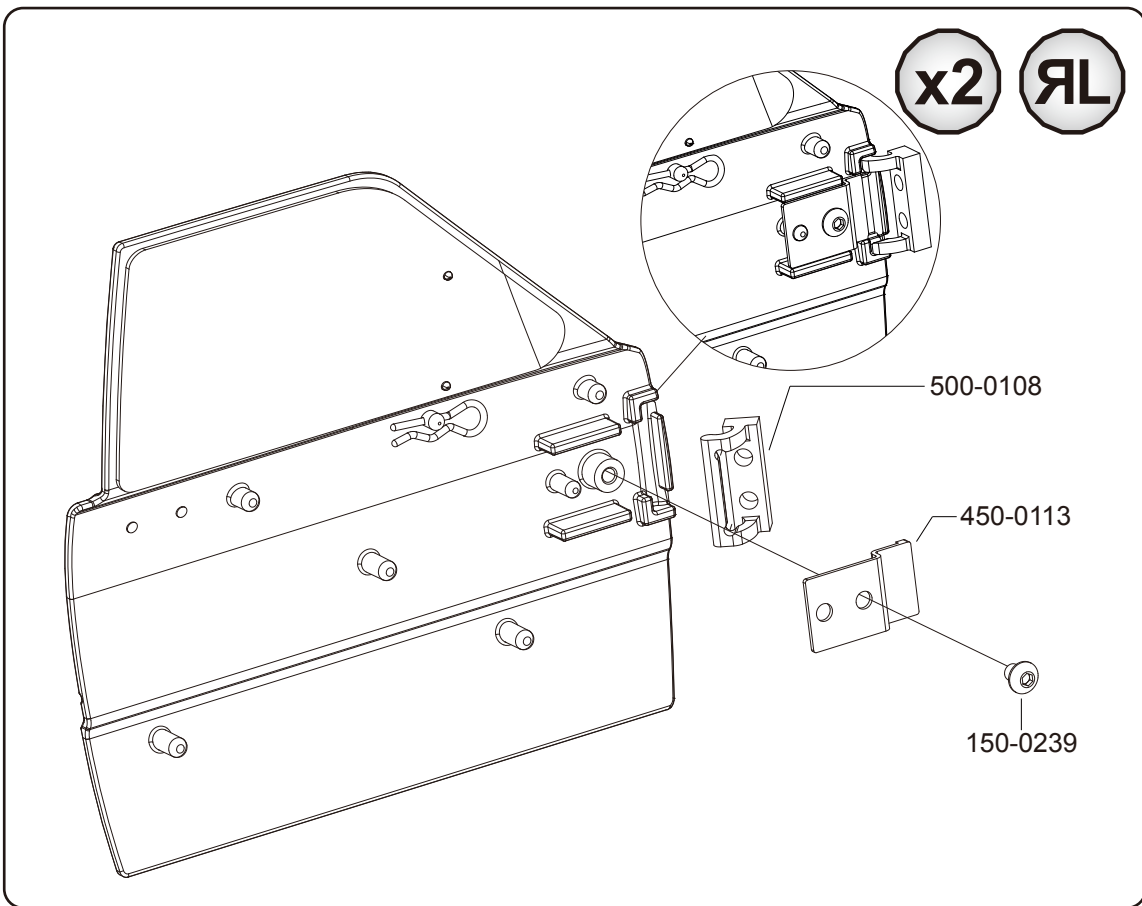
RC4WD Step 25

*Recommend styrene solvent glue or Foam Safe Super Glue.



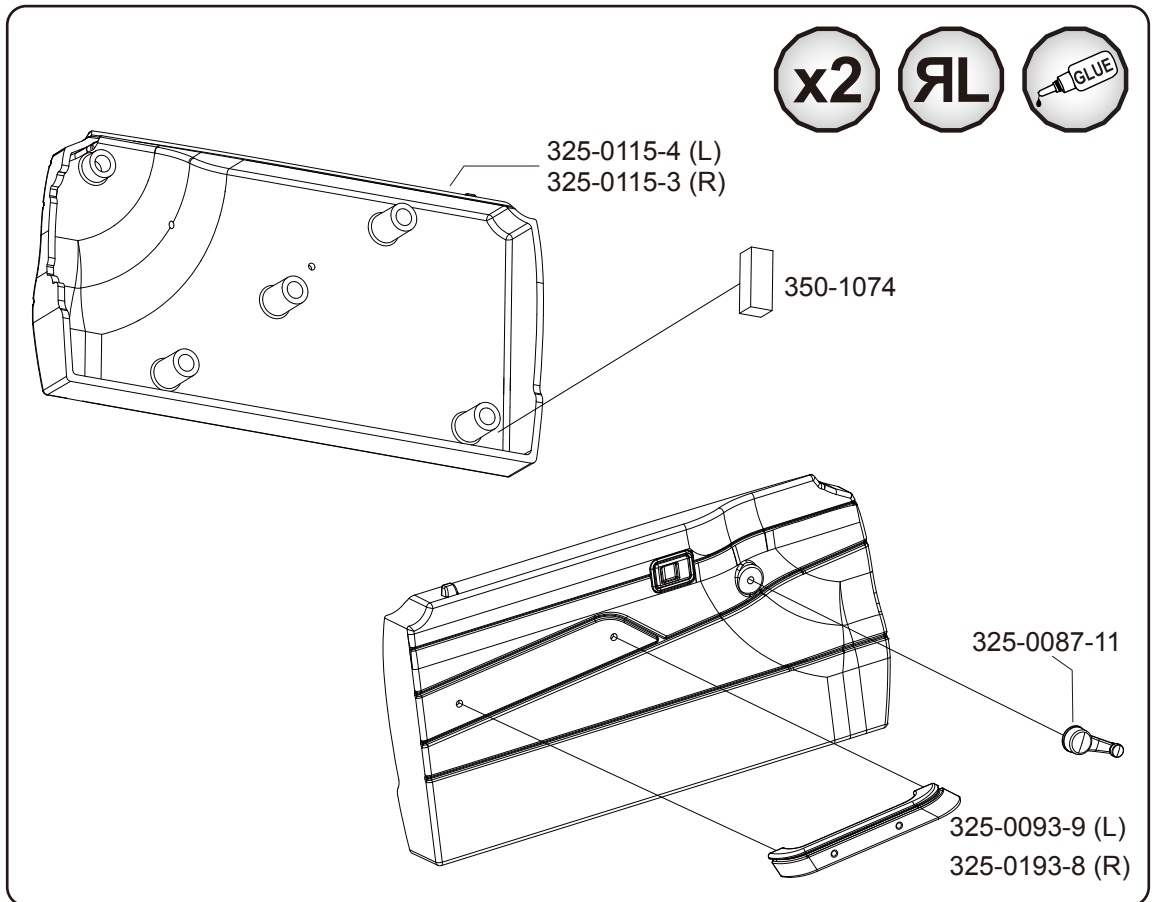
RC4WD Step 26

X2
150-0239
M3 x 4mm
Self Tapping Screws



RC4WD Step 27

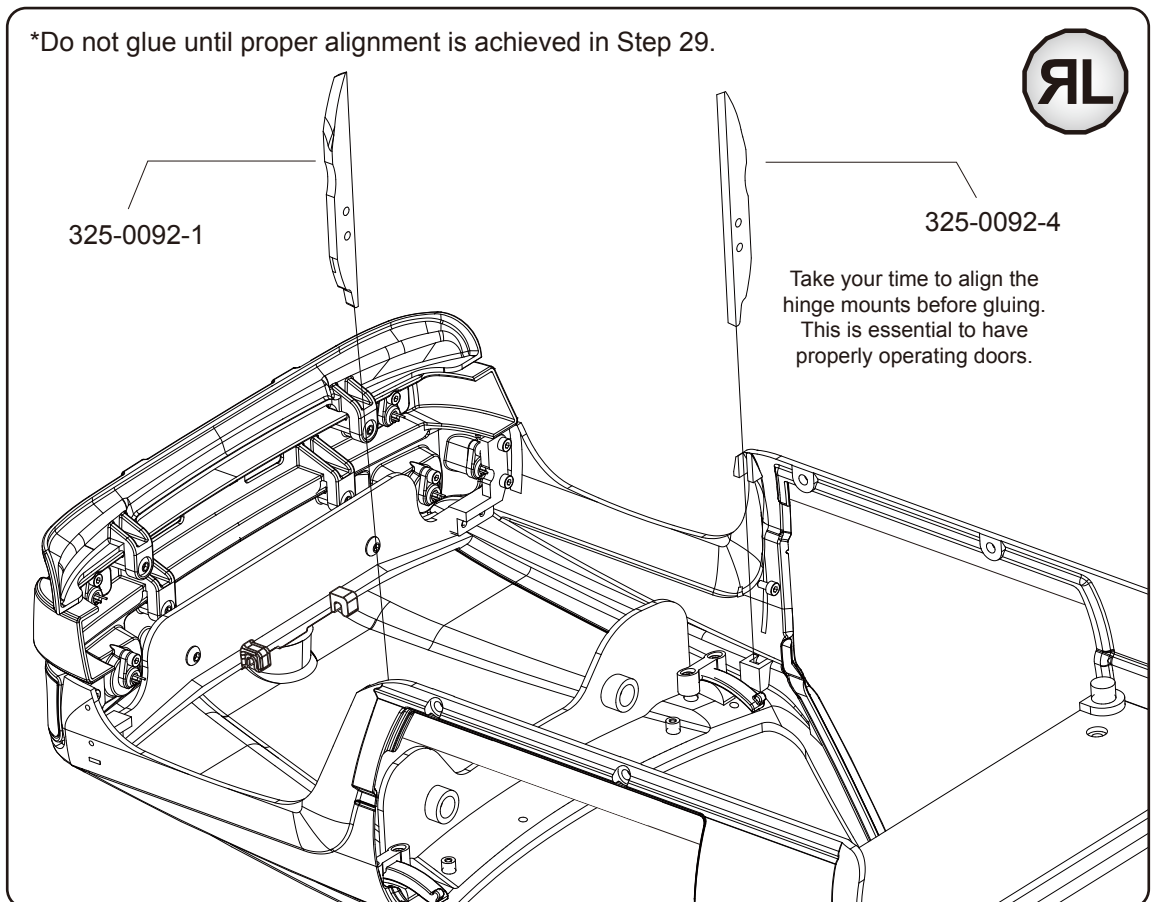
*Glue the magnet in place with Shoe Goo or E6000.




RC4WD Step 28

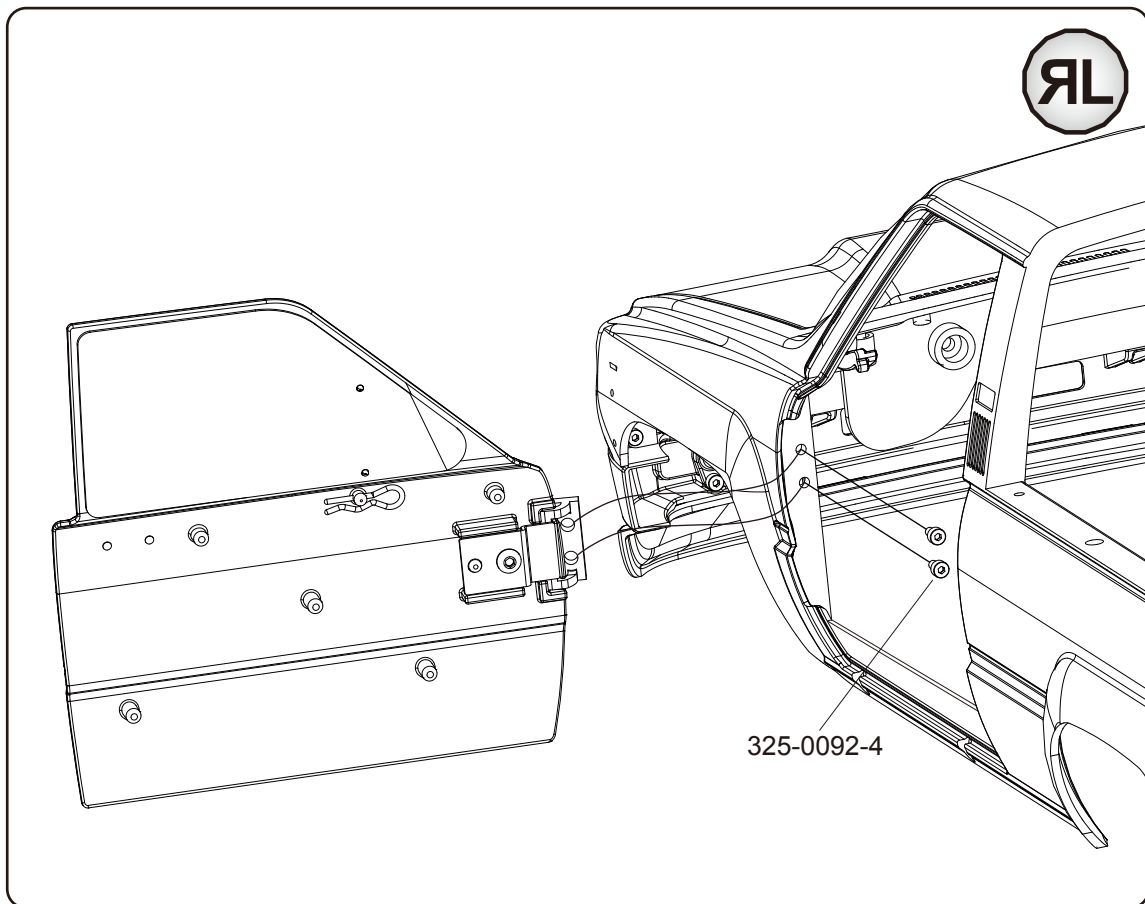
*Recommend styrene solvent glue or Foam Safe Super Glue.

*Do not glue until proper alignment is achieved in Step 29.



RC4WD Step 29

 X4
150-0195
M3 x 8mm
Self Tapping Screws



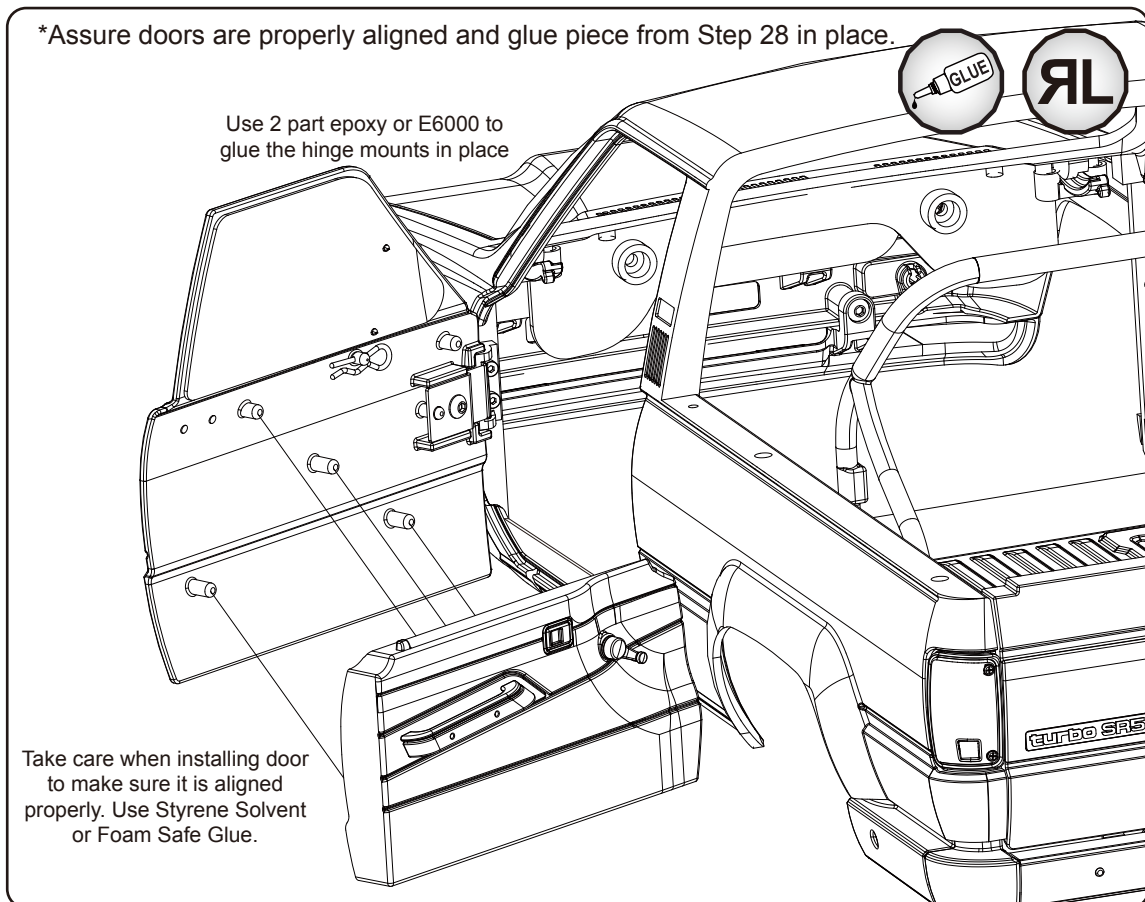
RC4WD Step 30

*Recommend 2
part epoxy or
E6000 glue.

*Assure doors are properly aligned and glue piece from Step 28 in place.

Use 2 part epoxy or E6000 to
glue the hinge mounts in place

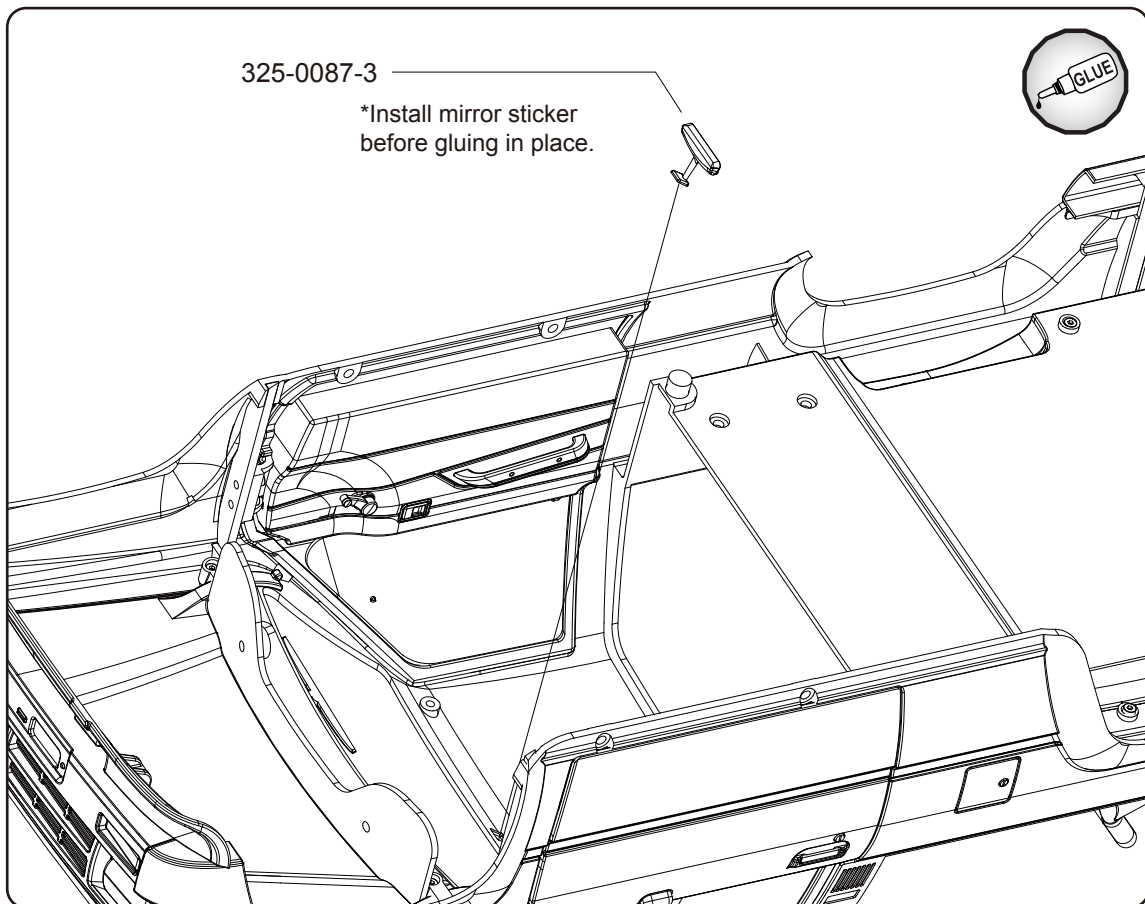
Take care when installing door
to make sure it is aligned
properly. Use Styrene Solvent
or Foam Safe Glue.




RC4WD Step 31

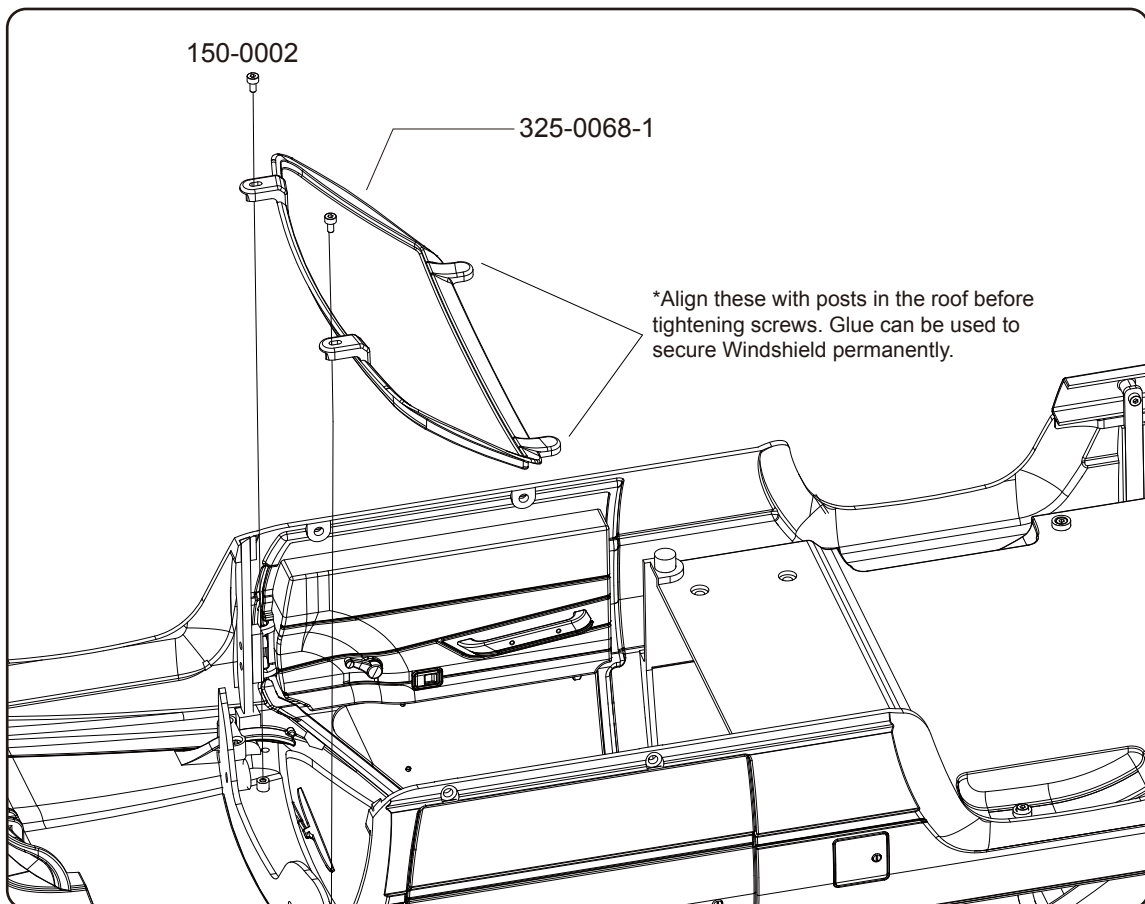
*Recommend styrene solvent glue or Foam Safe Super Glue.

*Install Chrome Mirror Stickers 101-0074.



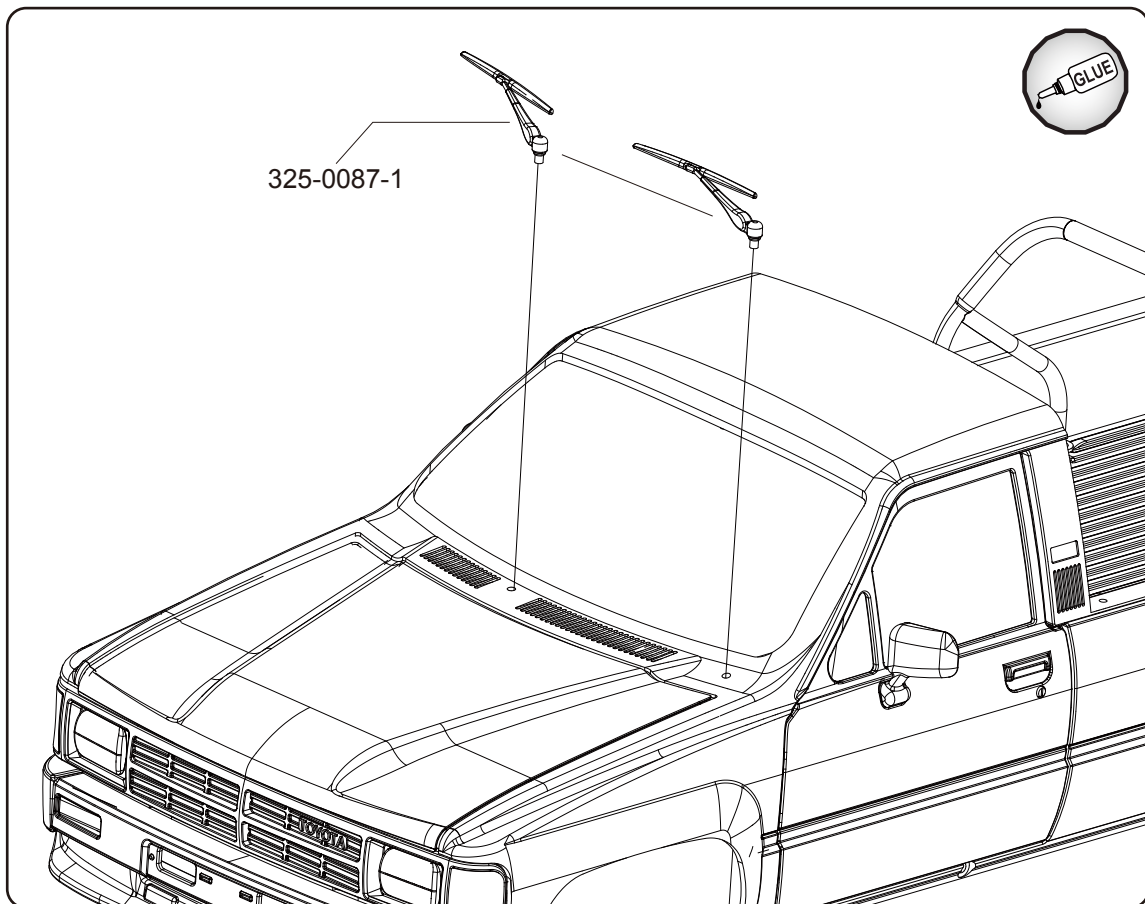
RC4WD Step 32

 X2
150-0002
M2 x 4mm SHCS



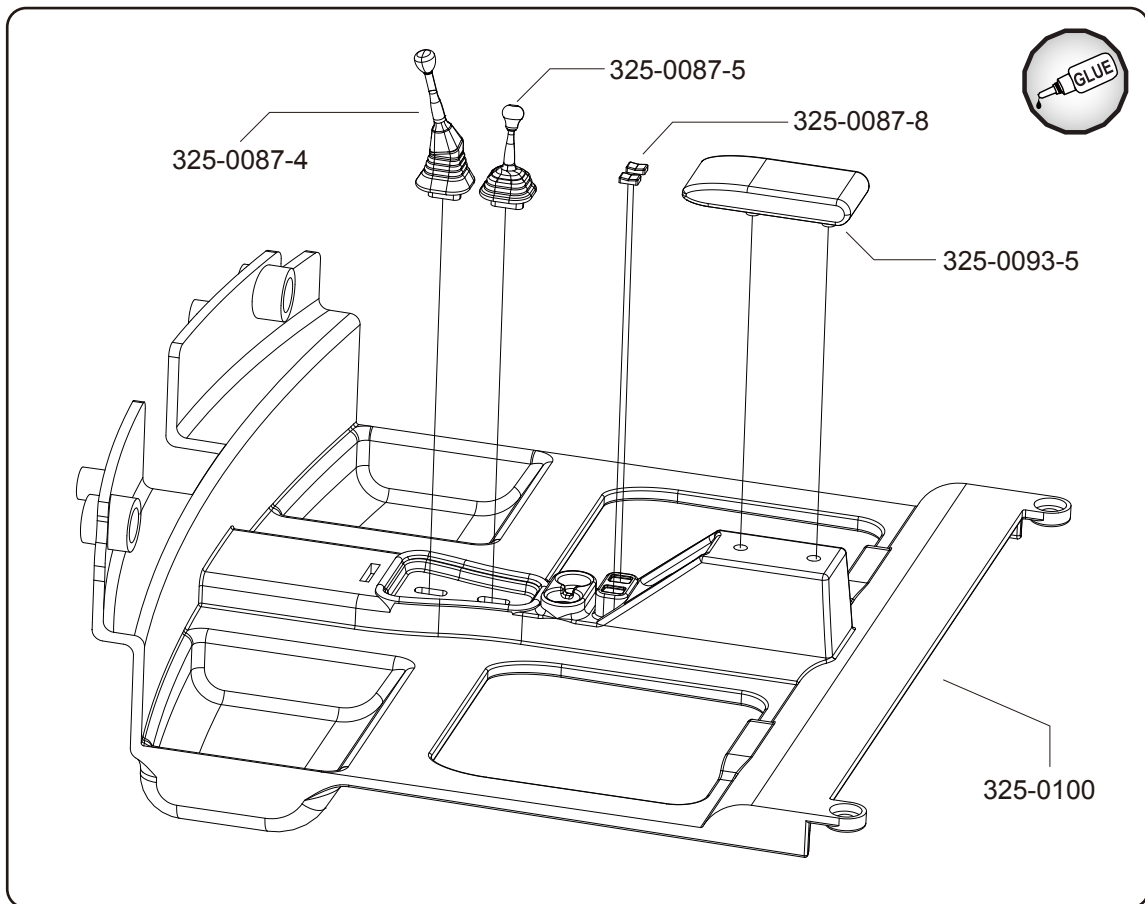
RC4WD Step 33

*Recommend styrene solvent glue or Foam Safe Super Glue.



RC4WD Step 34

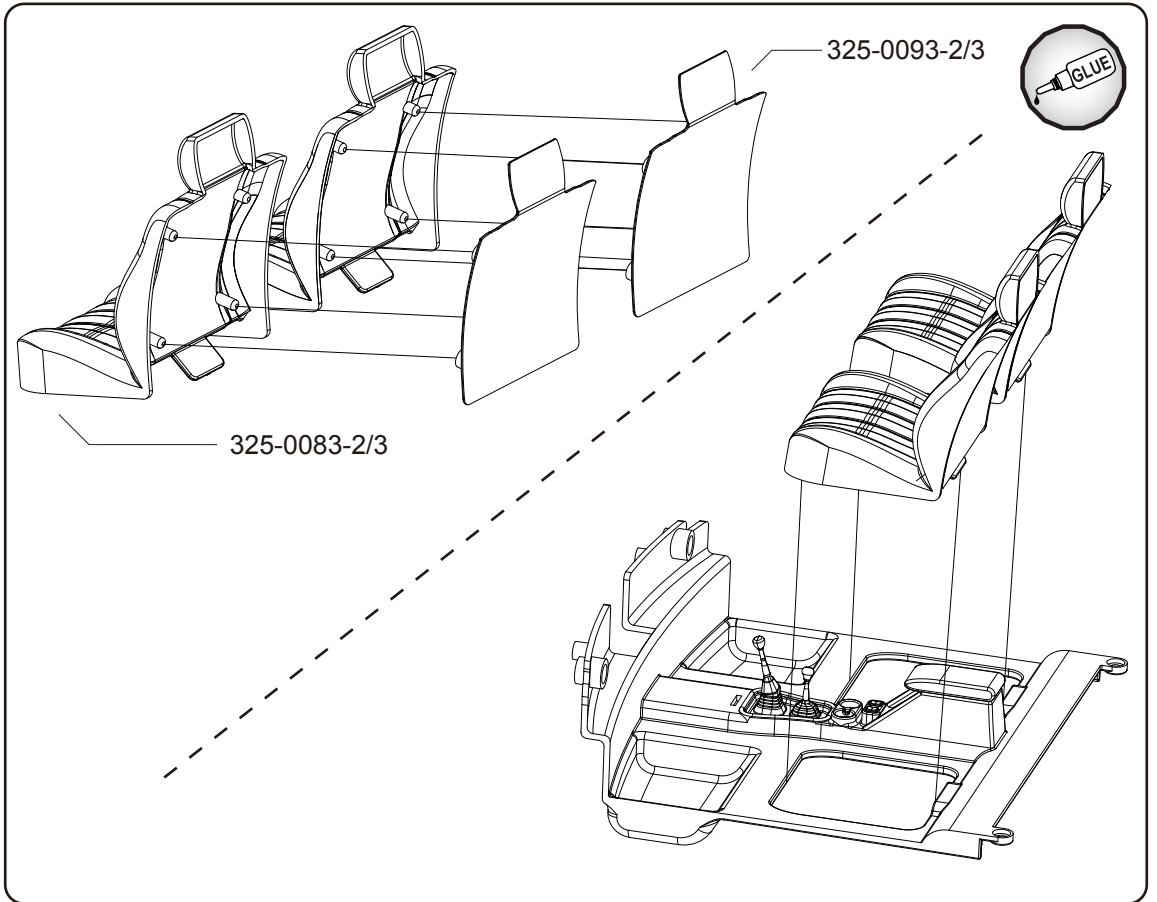
*Recommend styrene solvent glue or Foam Safe Super Glue.



RC4WD Step 35

*Recommend styrene solvent glue or Foam Safe Super Glue.

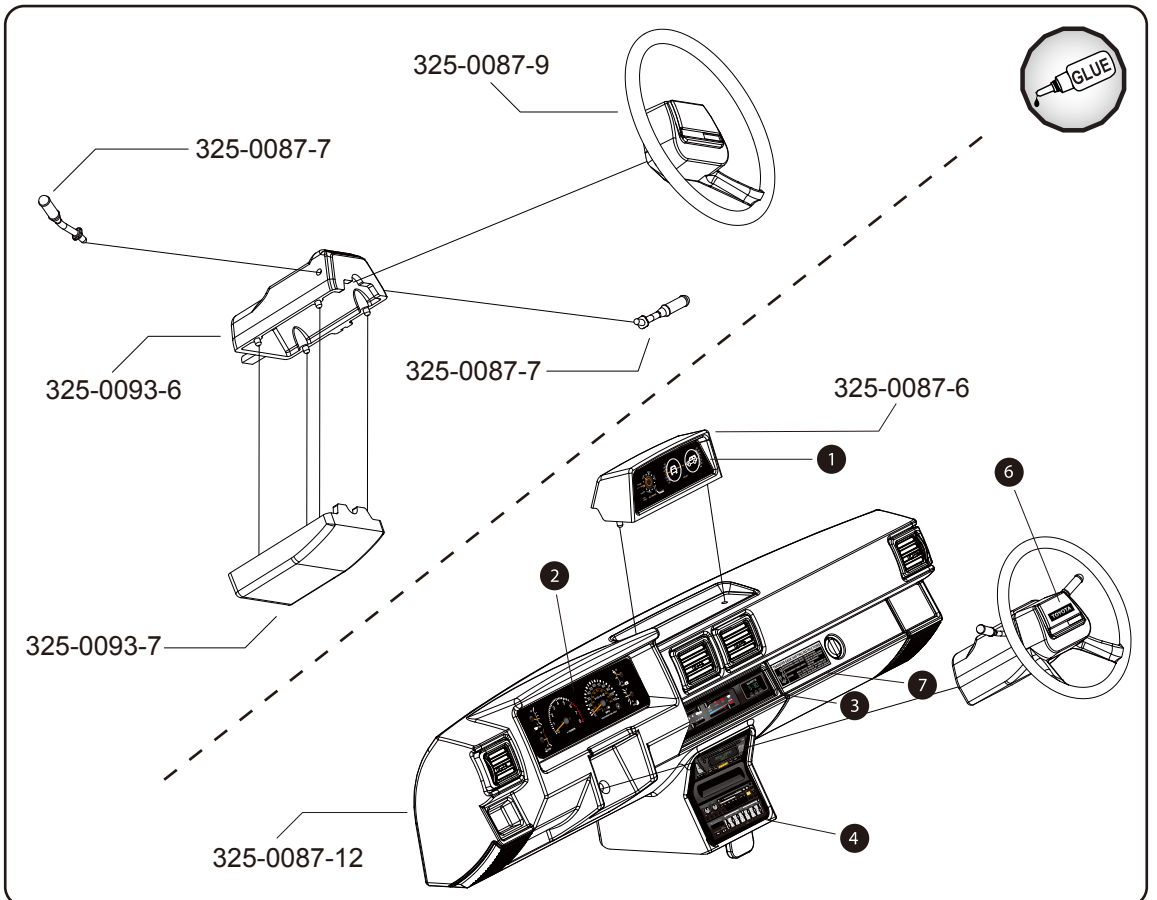
*Seats can be glued in place permanently. For easy removal, do not glue as the seats snap lightly into place.



RC4WD Step 36

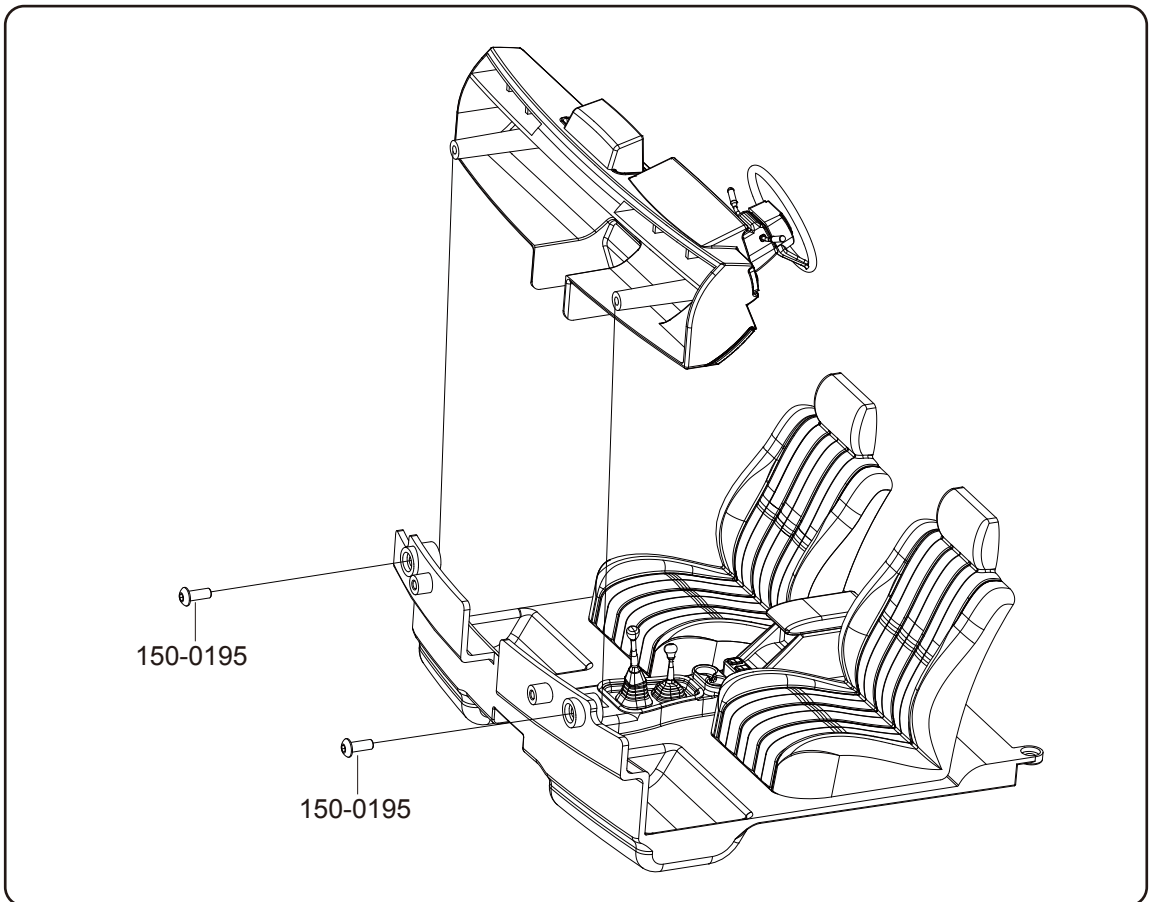
*Recommend styrene solvent glue or Foam Safe Super Glue.

*Note installation of dashboard stickers




RC4WD Step 37

 X2
 150-0195
 M3x8mm
 Self Tapping Screws



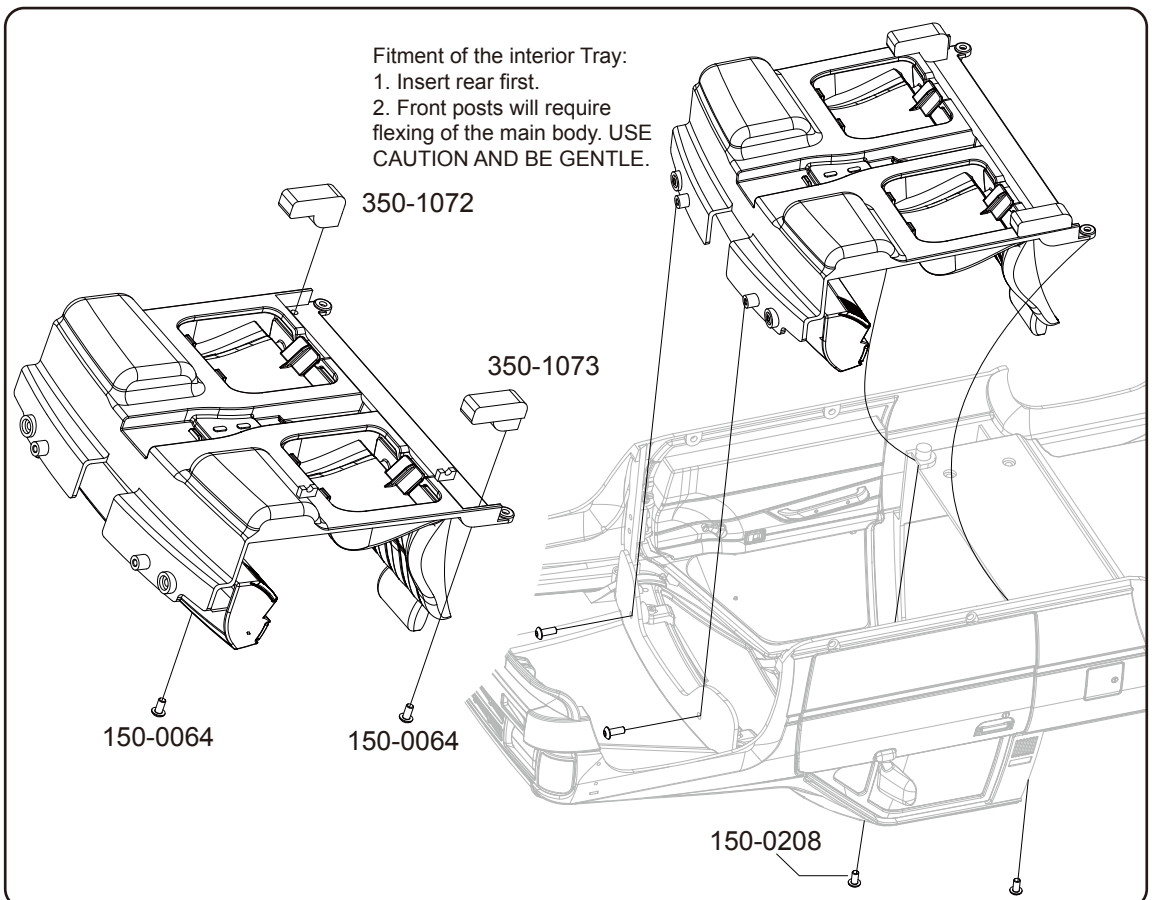
RC4WD Step 38

 X4
 150-0208
 M3 x 6mm
 Self Tapping Screws

 X2
 150-0064
 M3 x 6mm BHCS

Fitment of the interior Tray:

1. Insert rear first.
2. Front posts will require flexing of the main body. USE CAUTION AND BE GENTLE.

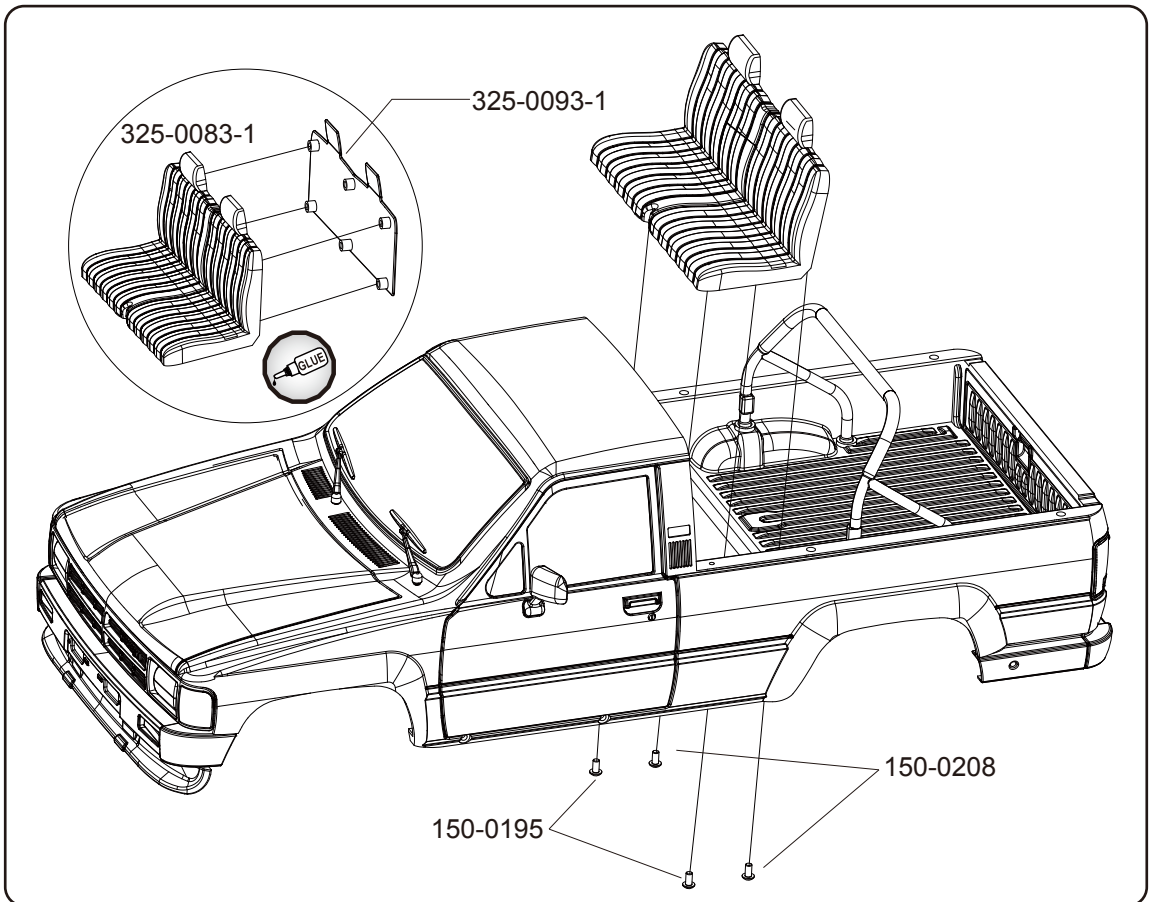


RC4WD Step 39

 X2
 150-0208
 M3 x 6mm
 Self Tapping Screws

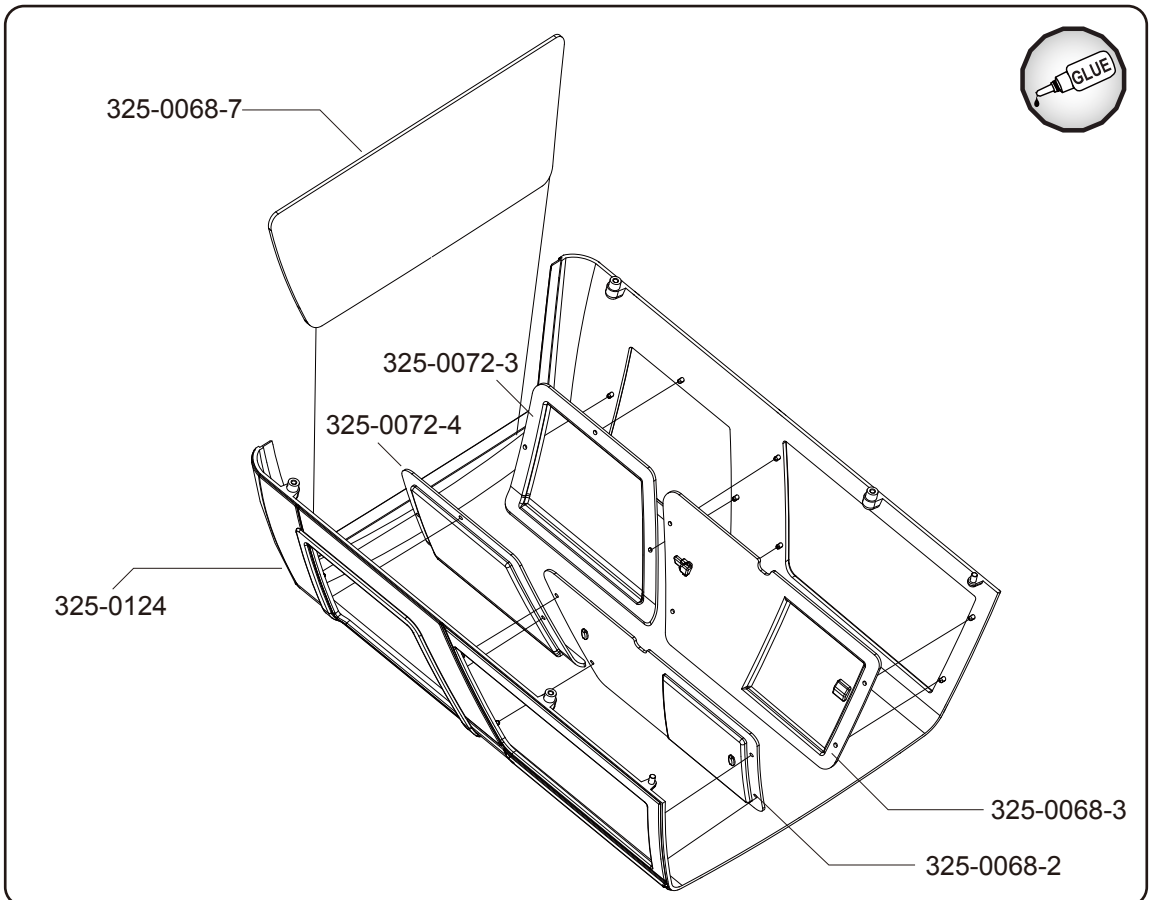
 X2
 150-0195
 M3 x 8mm
 Self Tapping Screws

*Recommend
 foam safe super
 glue or Shoe Goo
 or E6000.



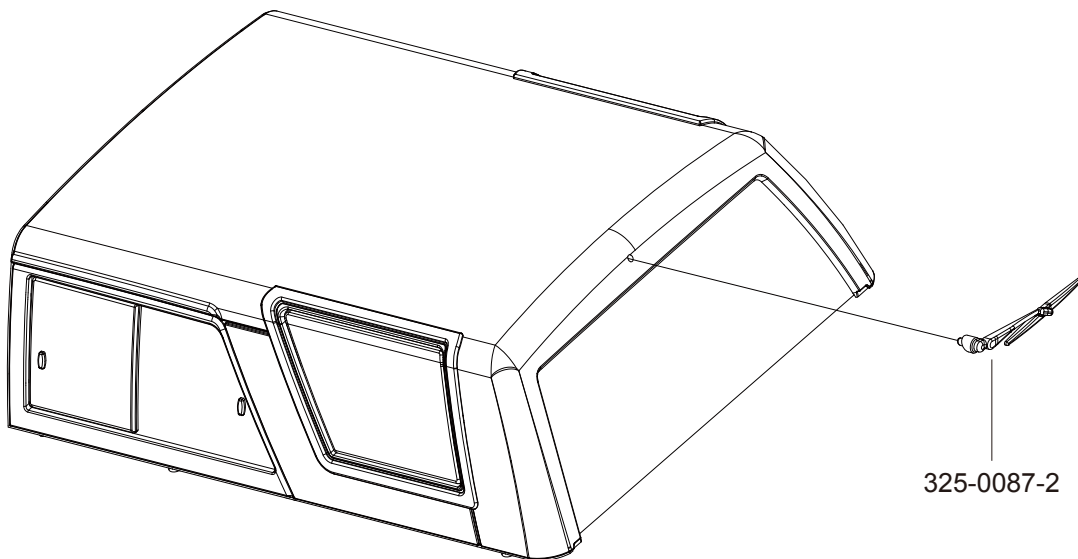
RC4WD Step 40

*Recommend
 styrene solvent
 glue or Foam Safe
 Super Glue.



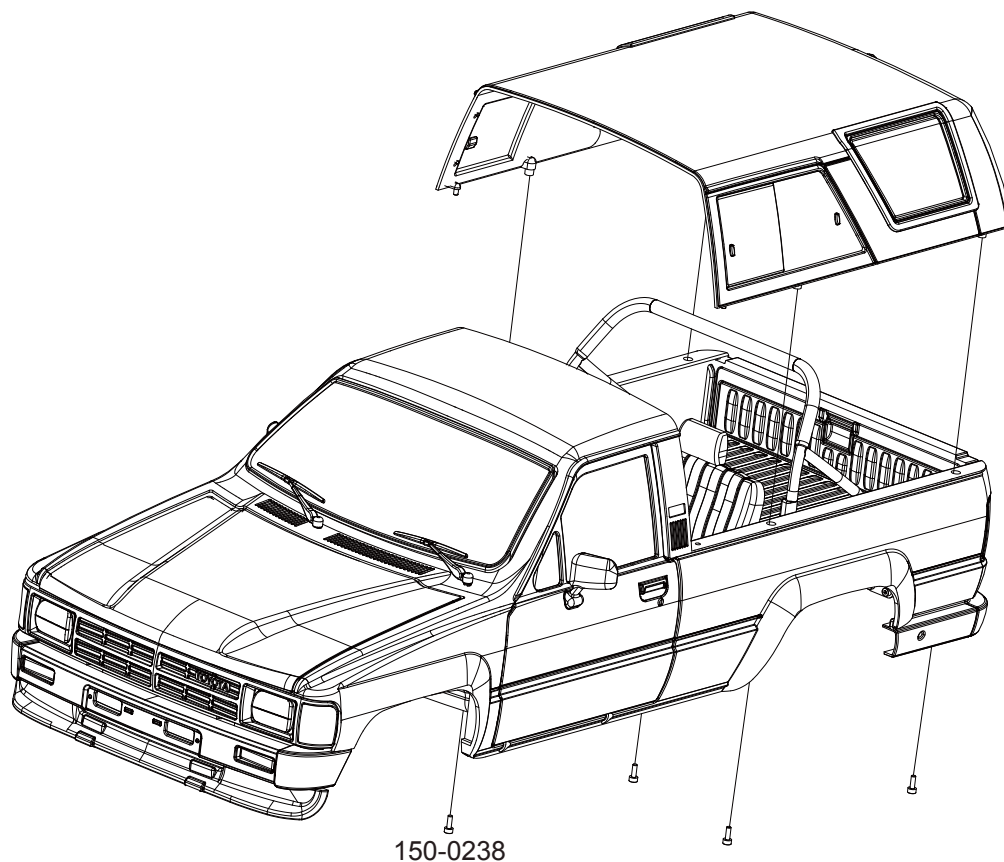
RC4WD Step 41

*Recommend styrene solvent glue or Foam Safe Super Glue.

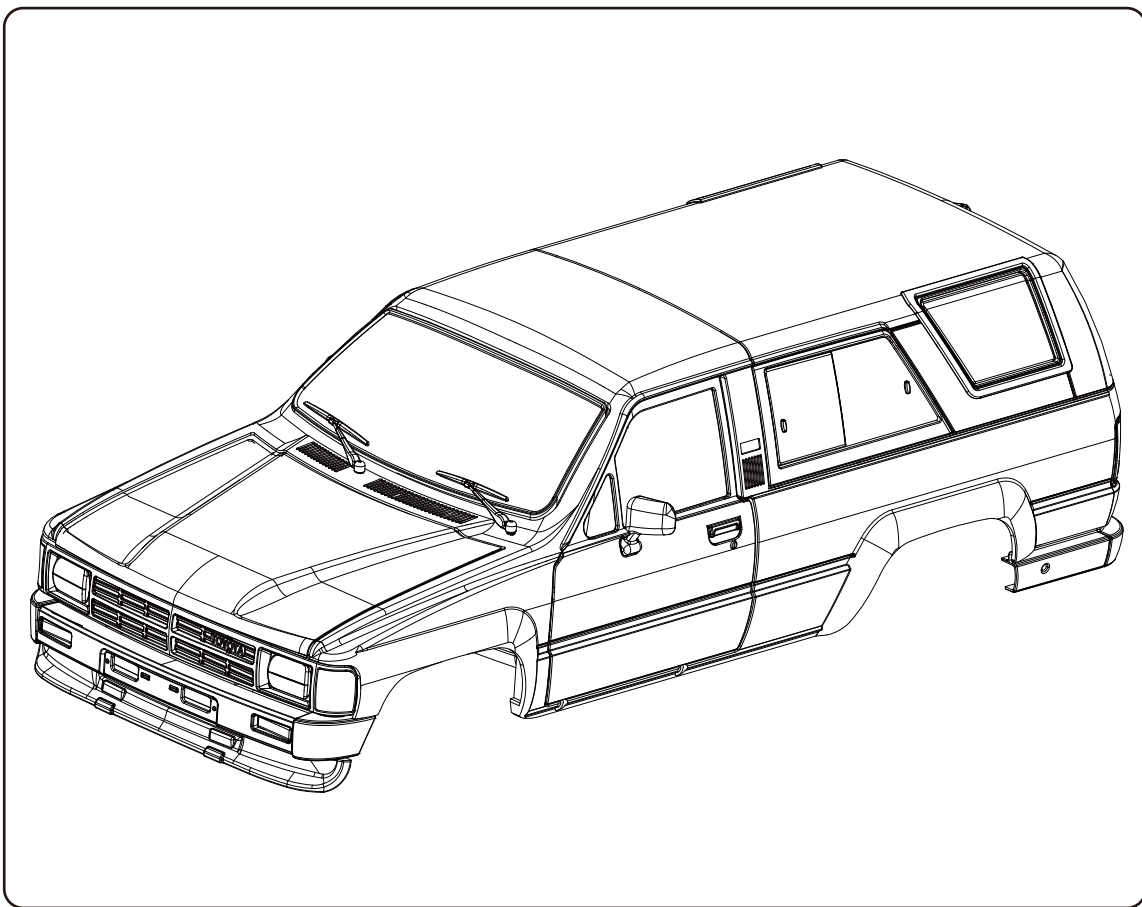


RC4WD Step 42

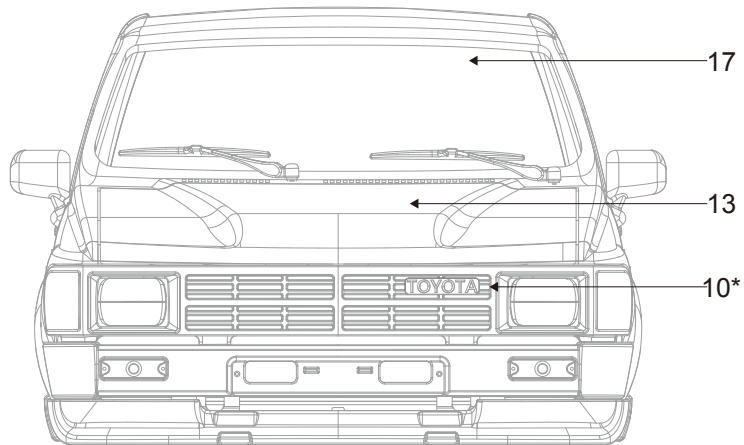
 X4
150-0238
M2 x 6mm
Self Tapping Screws



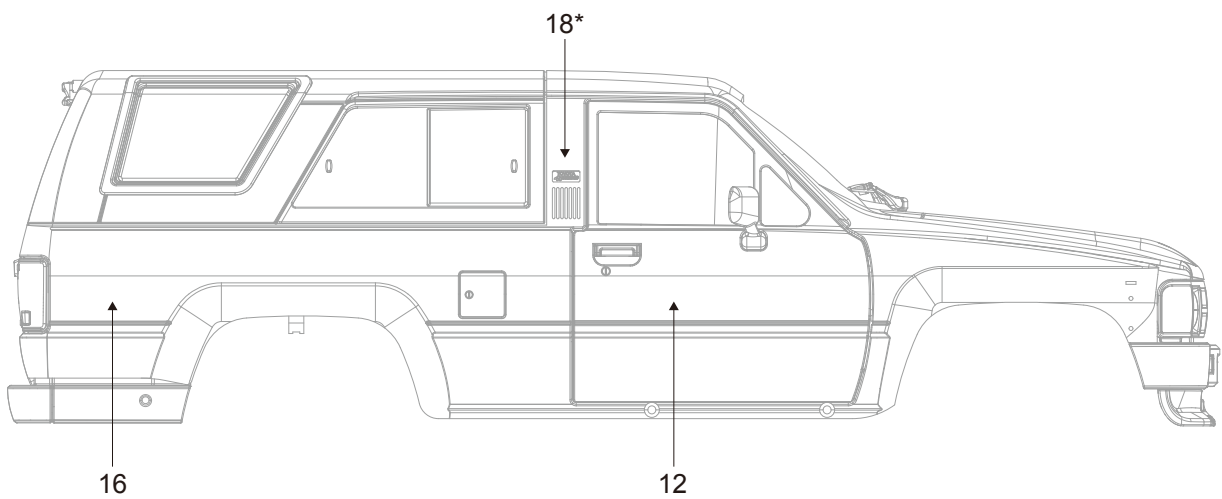
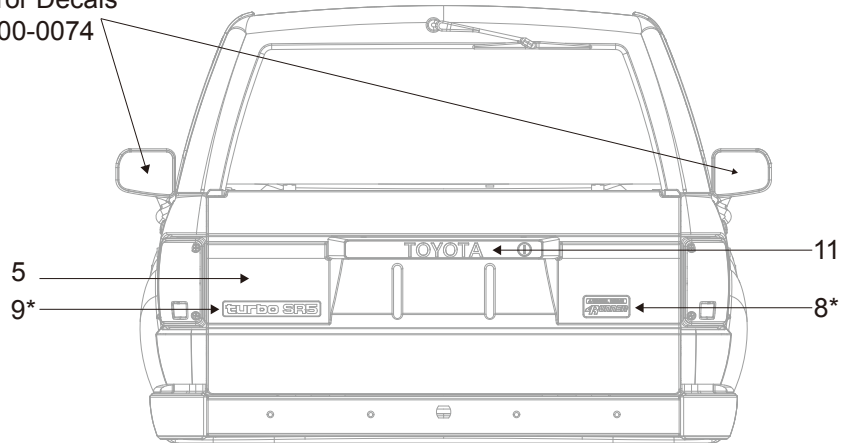
RC4WD
Step 42



How to Install Body Decals



Chrome
Mirror Decals
100-0074



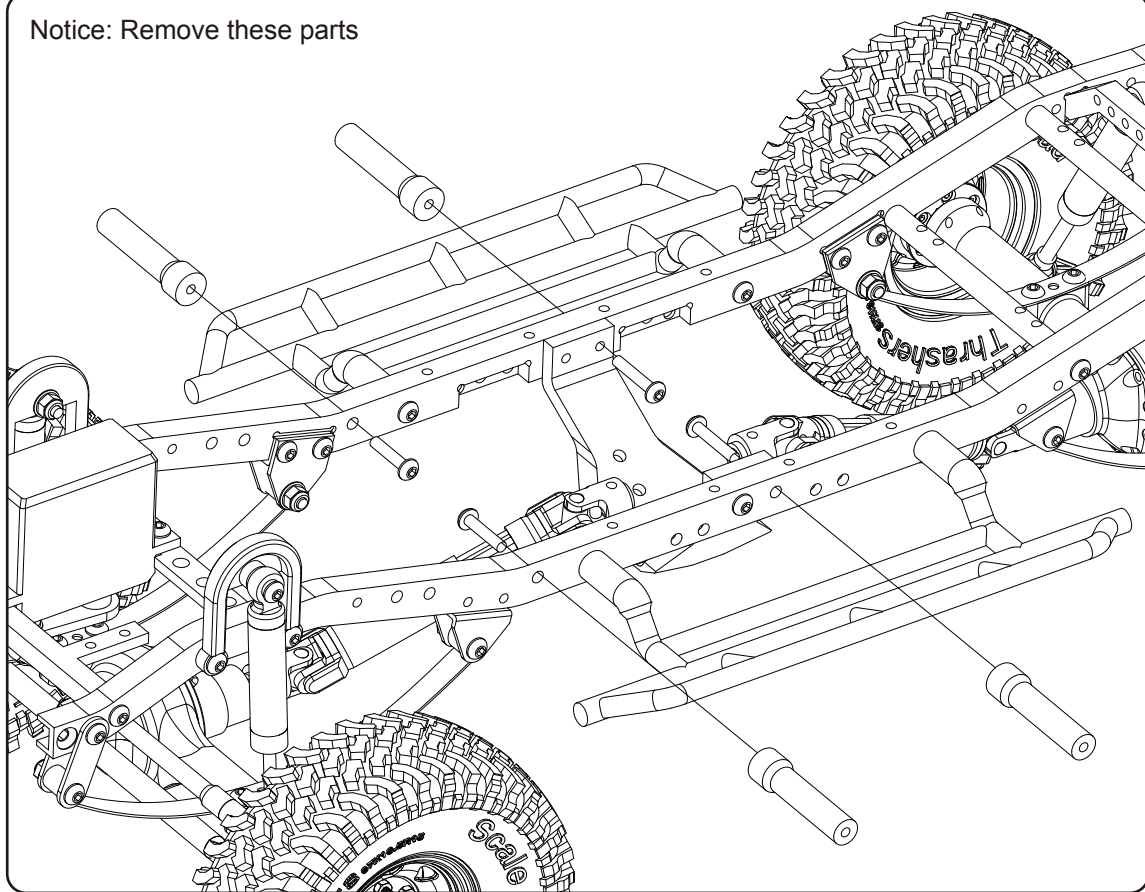
* Can use stickers in place of metal emblem

Certain decal sheets are supplied with multiple styles, giving you the option to choose whichever best fits your personal style! Many of the decals supplied can be freely applied in any location.



RC4WD Step 43

Notice: Remove these parts

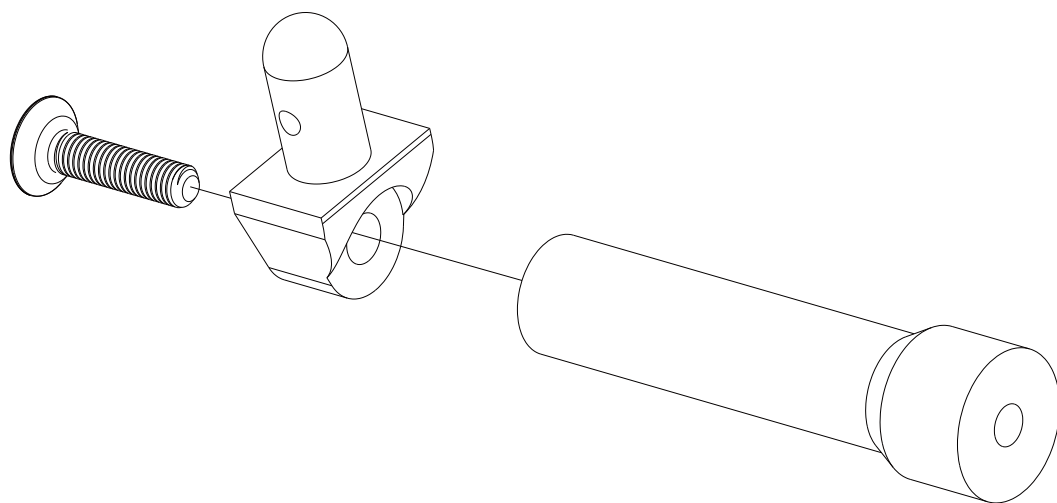


RC4WD Step 44

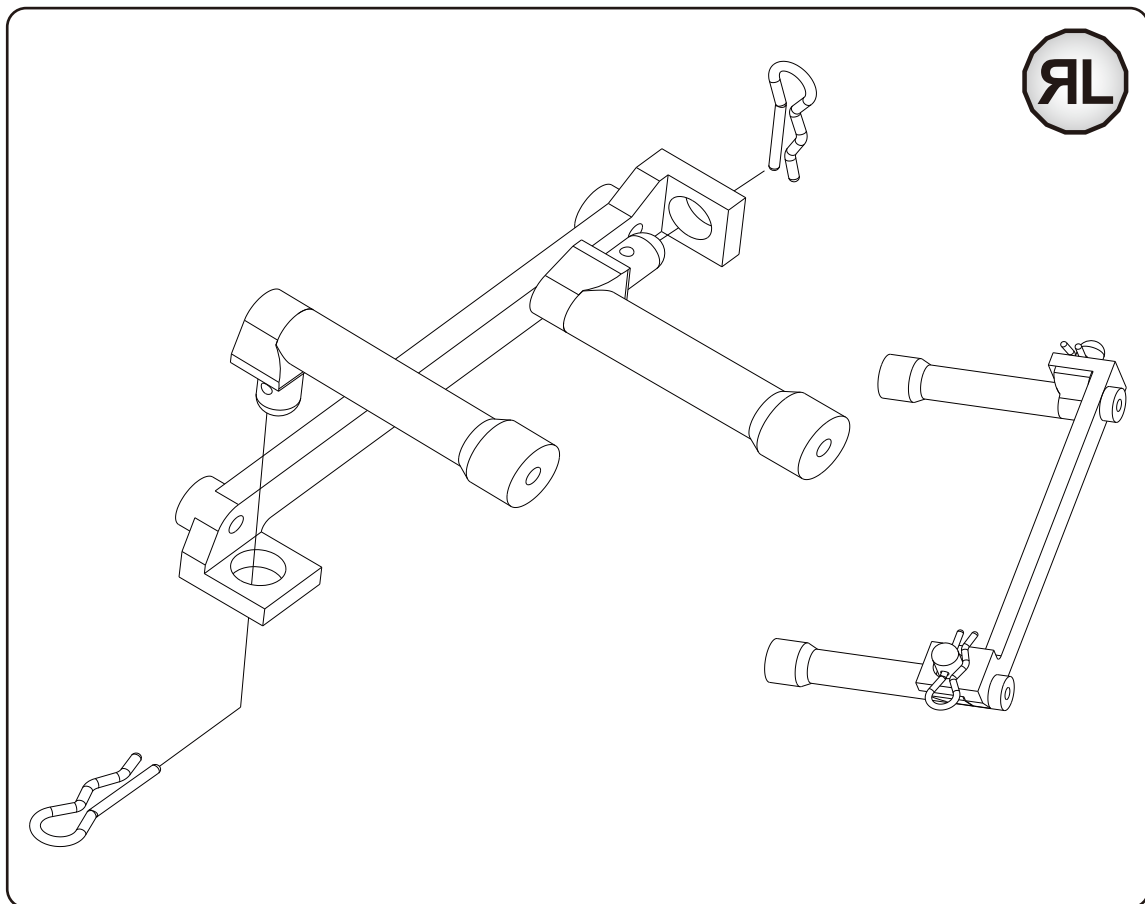
Install Z-B0112 and Z-B0205

x4


 X4
150-0253
M3 x 10mm FHCS




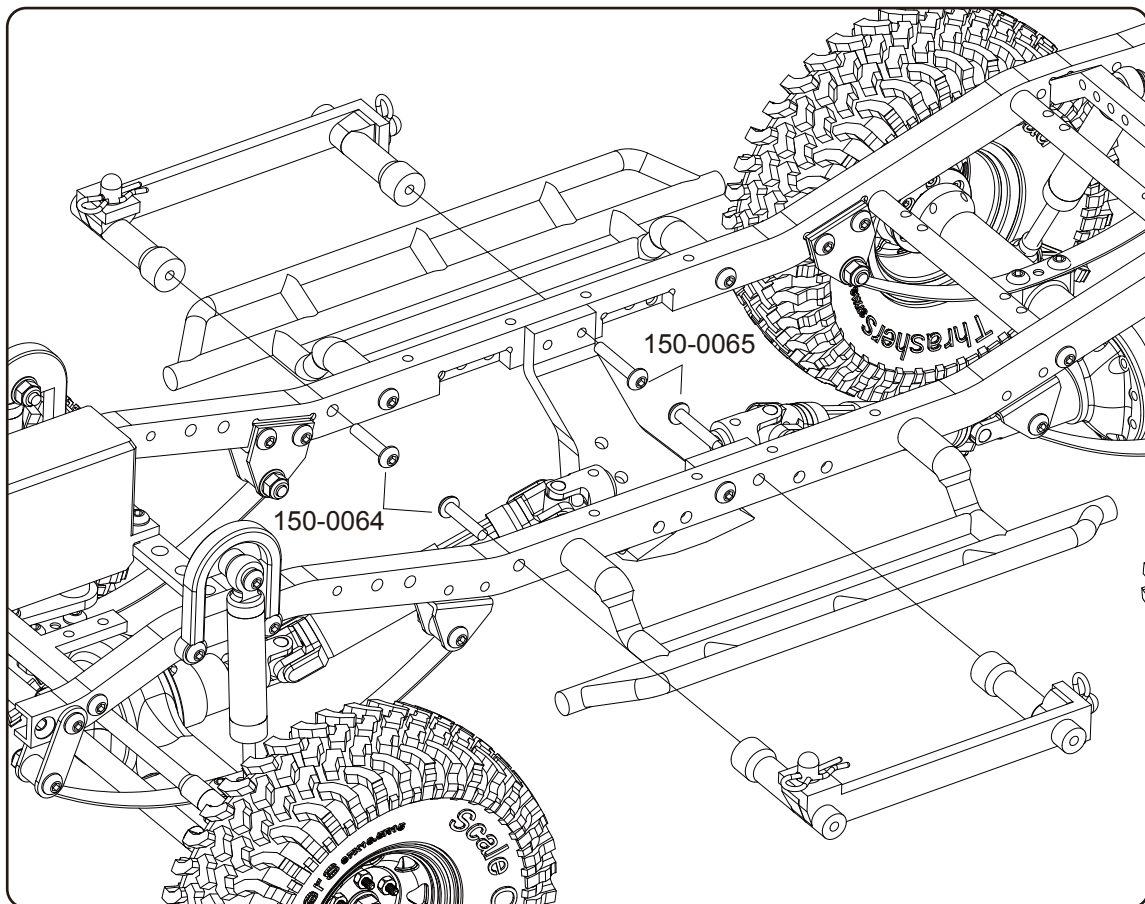
RC4WD
Step 45



RC4WD
Step 46

 X2
150-0064
M3x12mm BHCS

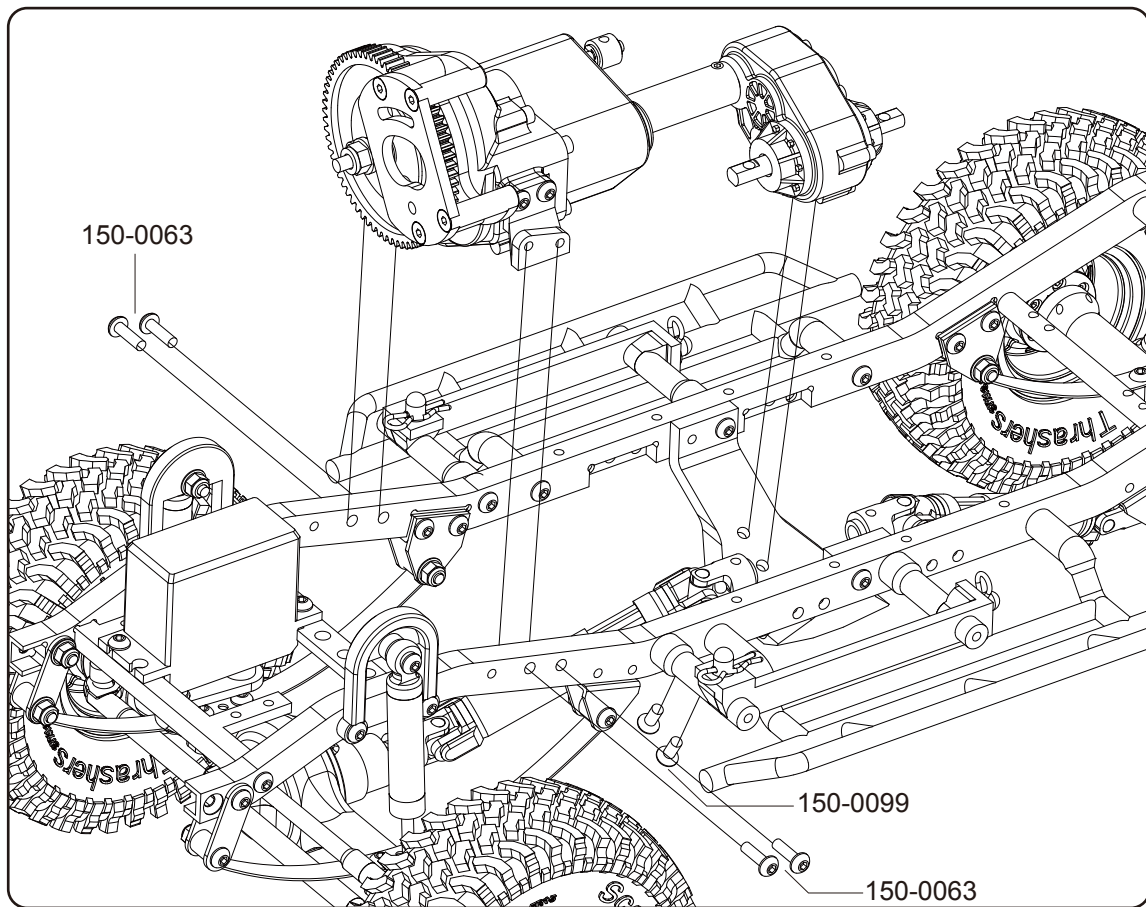
 X2
150-0065
M3x14mm BHCS




RC4WD
Step 47

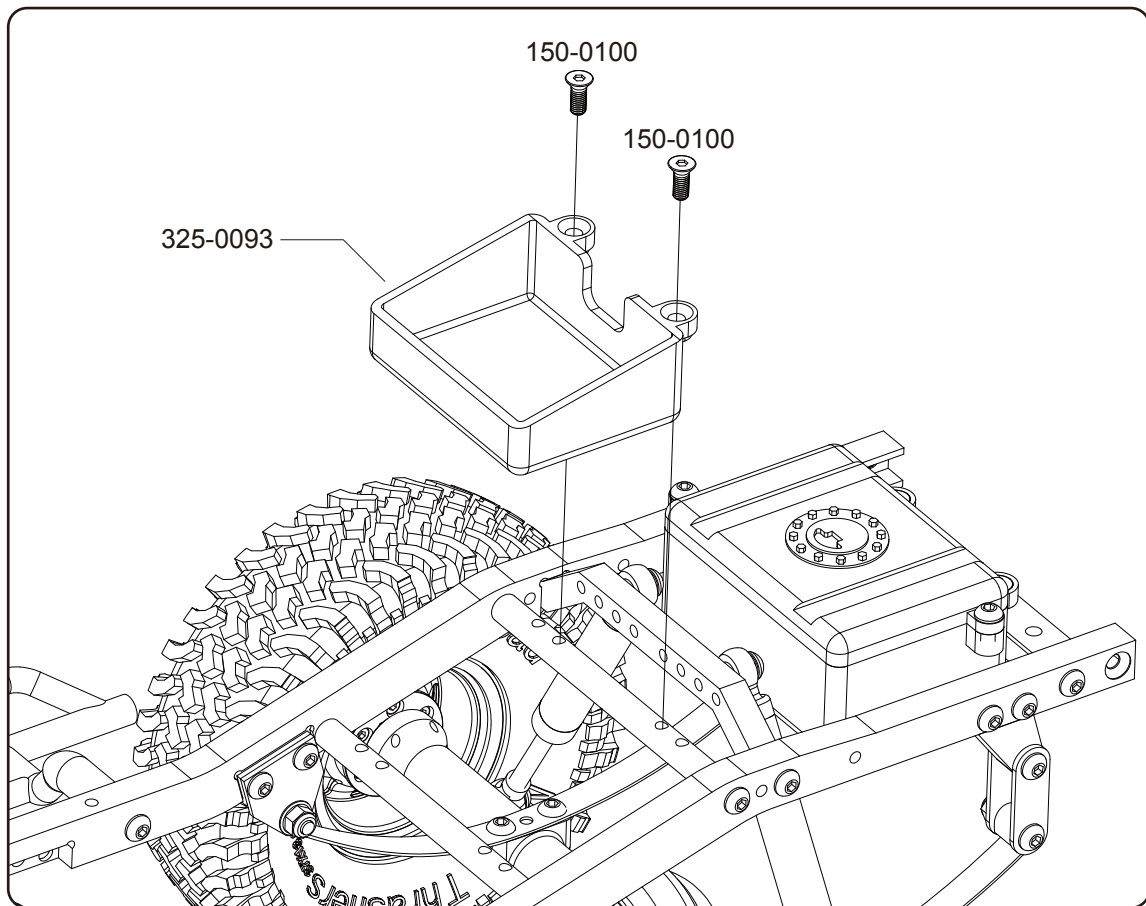
 X4
150-0063
M3 x 10mm BHCS

 X2
150-0099
M3 x 6mm FHCS



RC4WD
Step 48

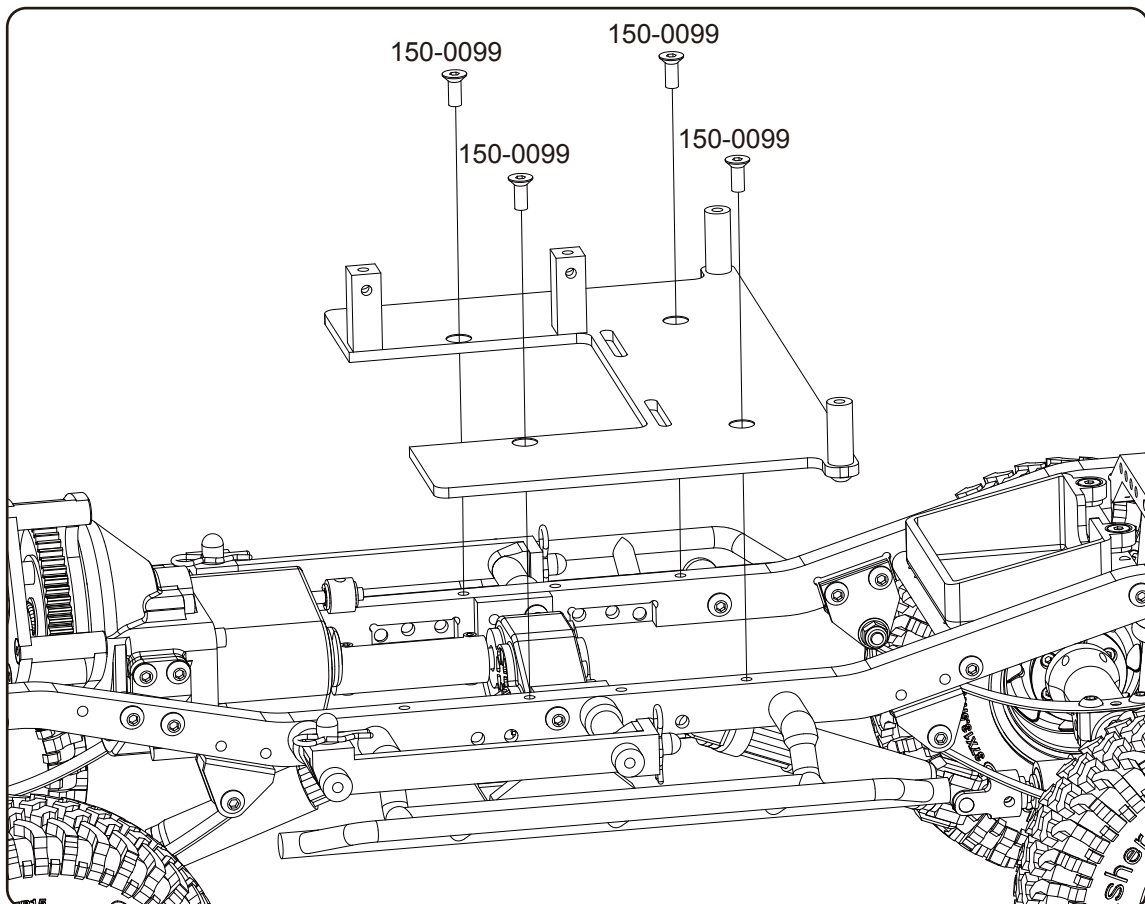
 X2
150-0100
M3 x 8mm FHCS



RC4WD


Step 49

 X4
150-0099
M3 x 6mm FHCS

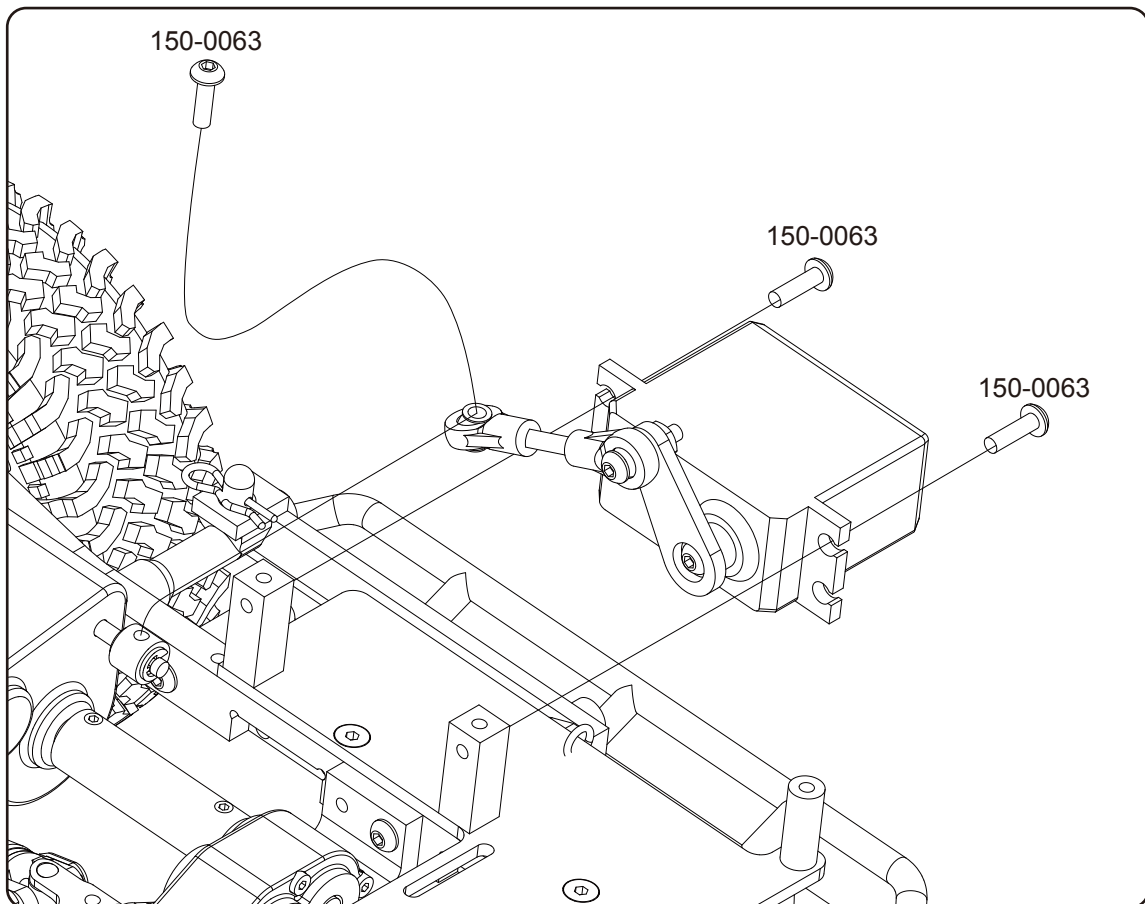


RC4WD

Step 50

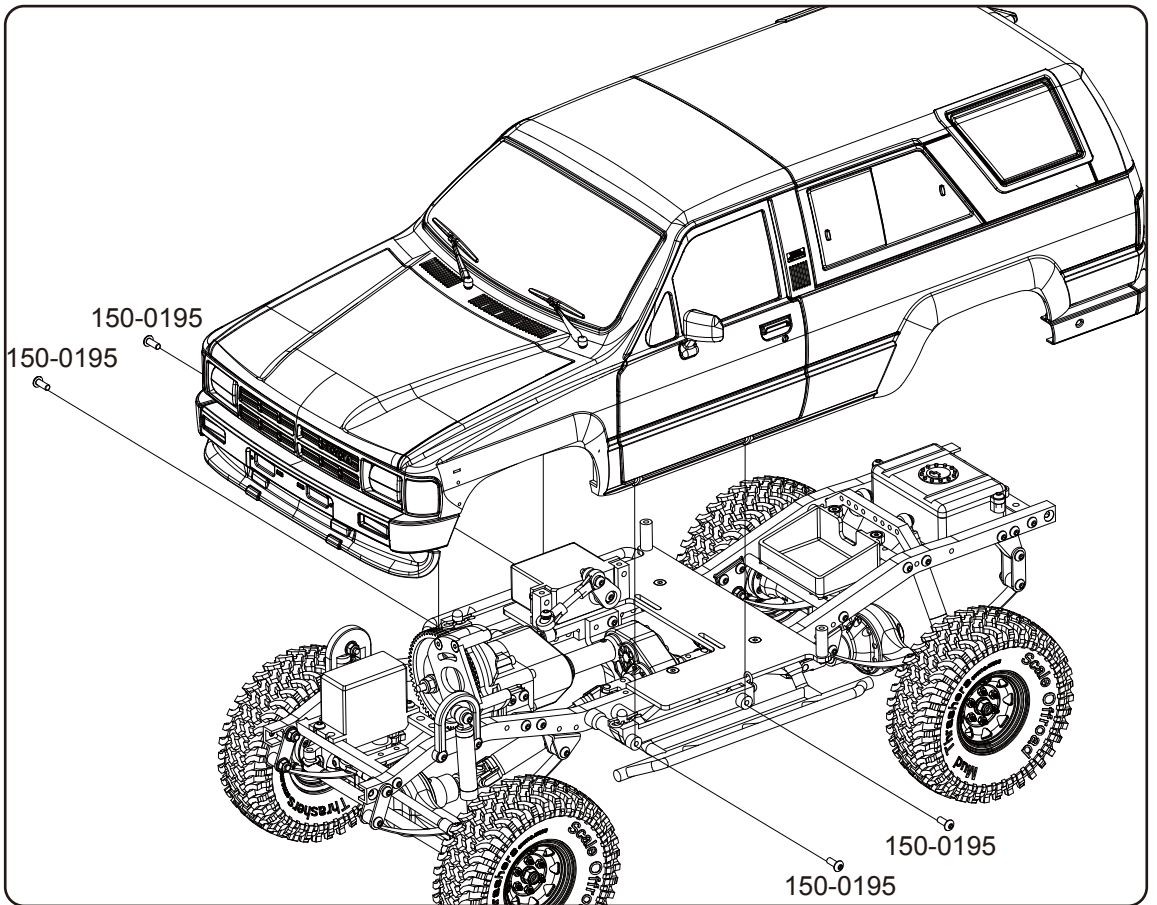
 X3
150-0063
M3 x 10mm BHCS

*Servo removal is only needed if you have a 2 speed transmission.

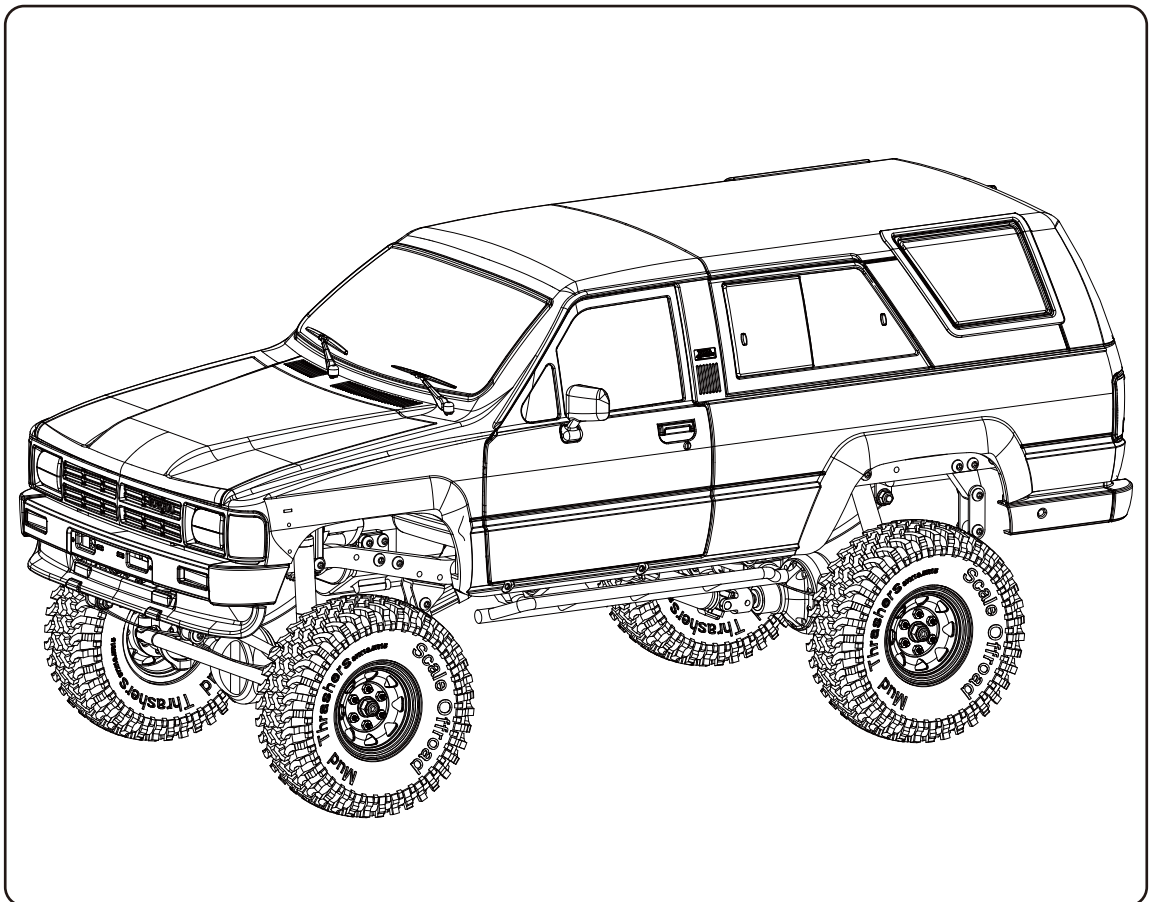


RC4WD Step 51

 X4
150-0195
M3 x 8mm
Self Tapping Screws



RC4WD Step 52





www.rc4wd.com



RC4WD

720 N. Gateway St.
Visalia, CA 93291

Web: www.rc4wd.com - Email: support@rc4wd.com

100-0032